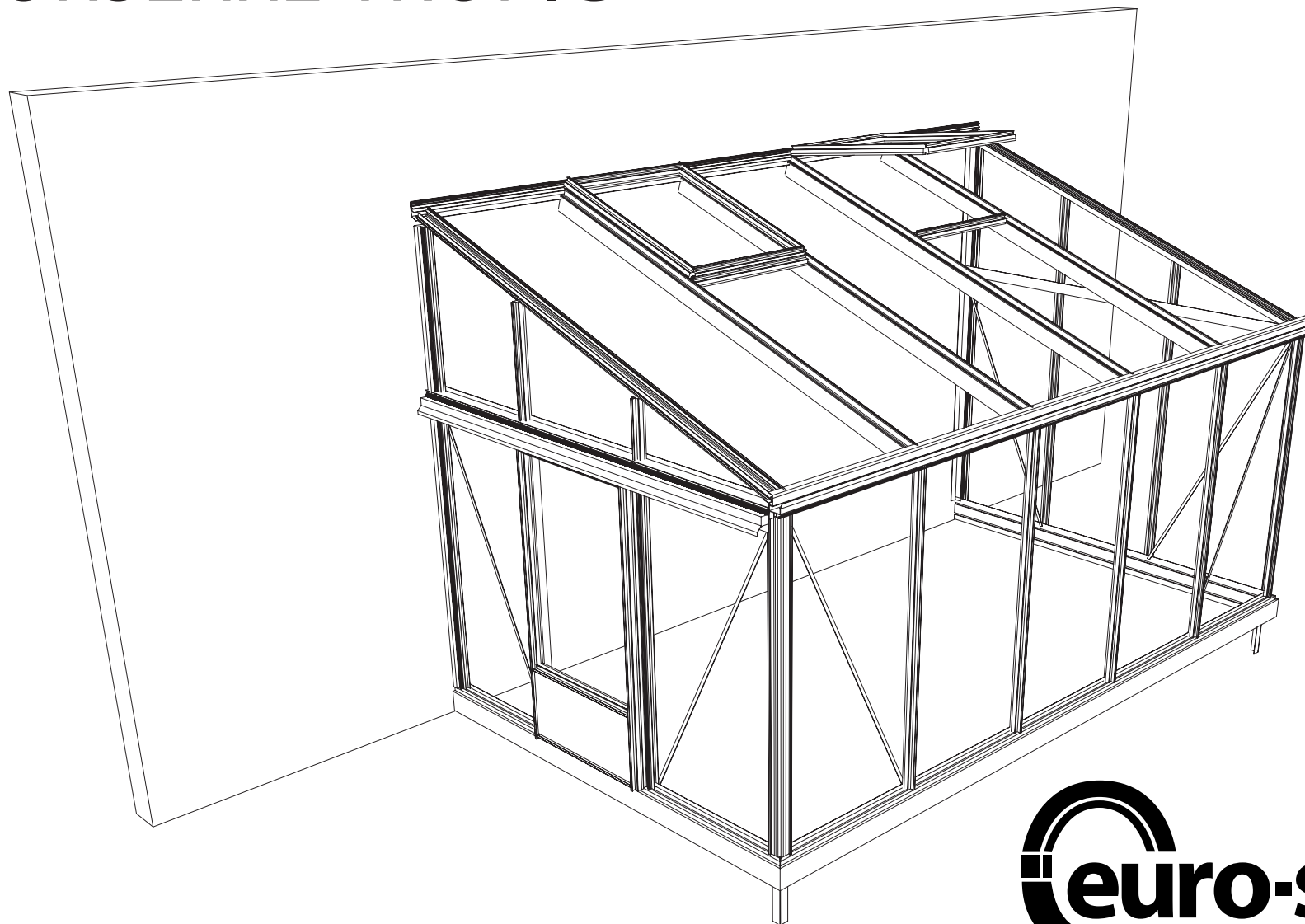


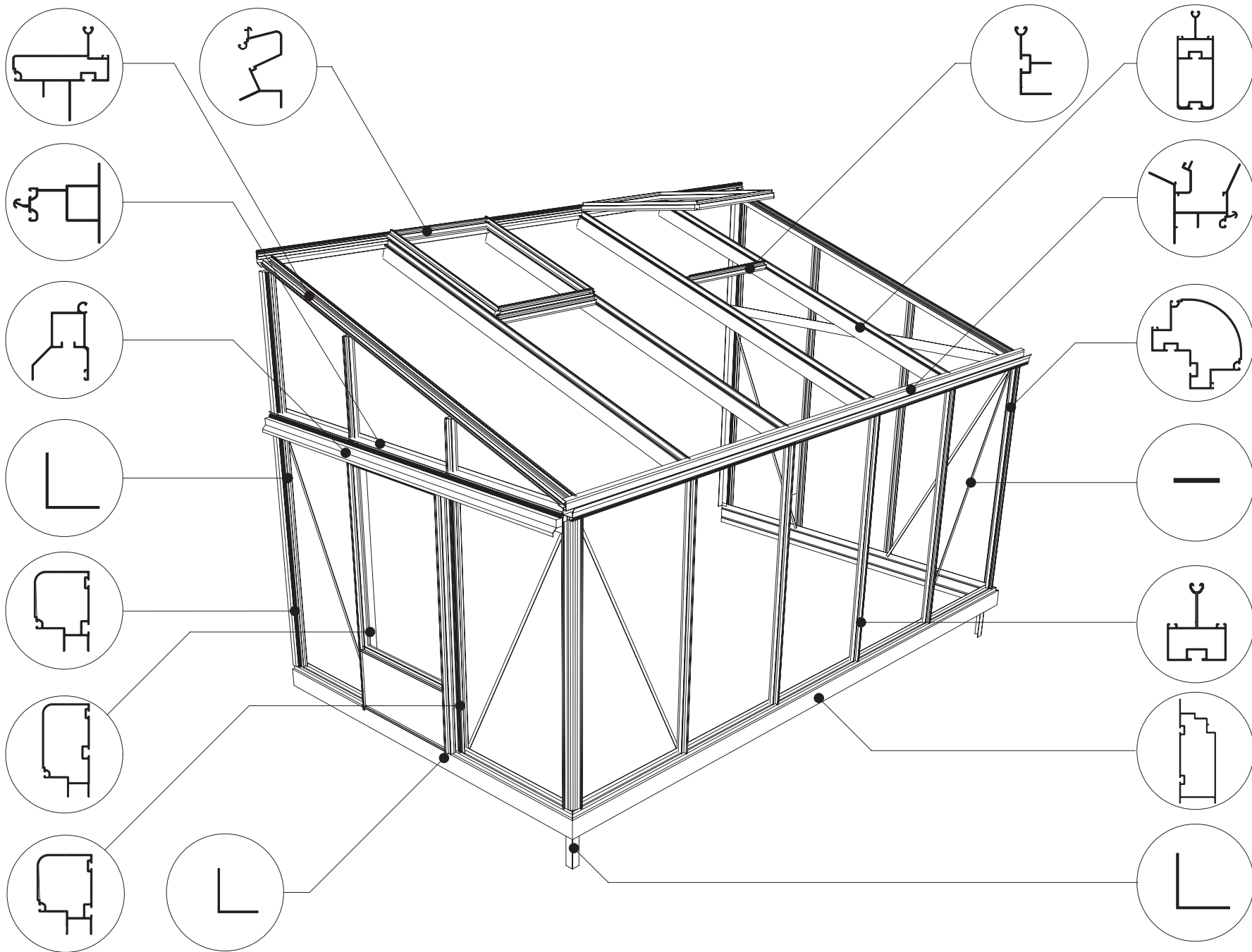
2,33m - 3,09m

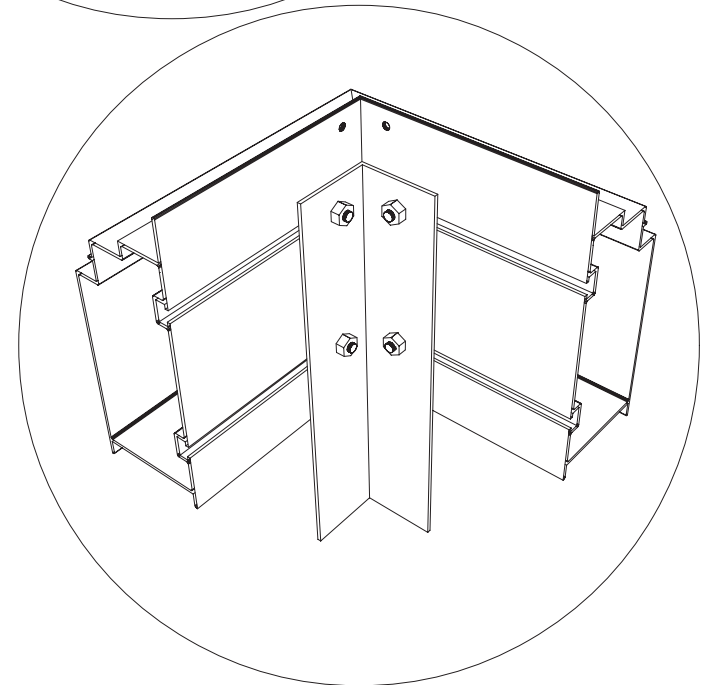
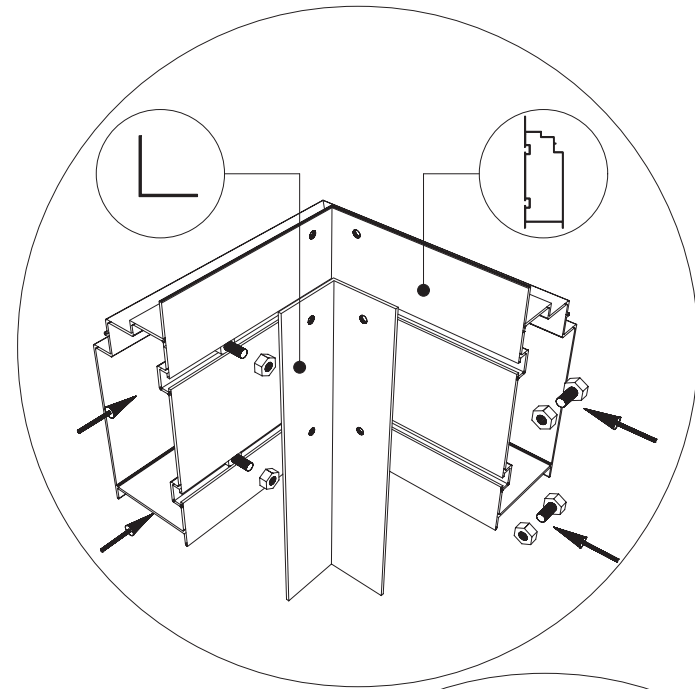
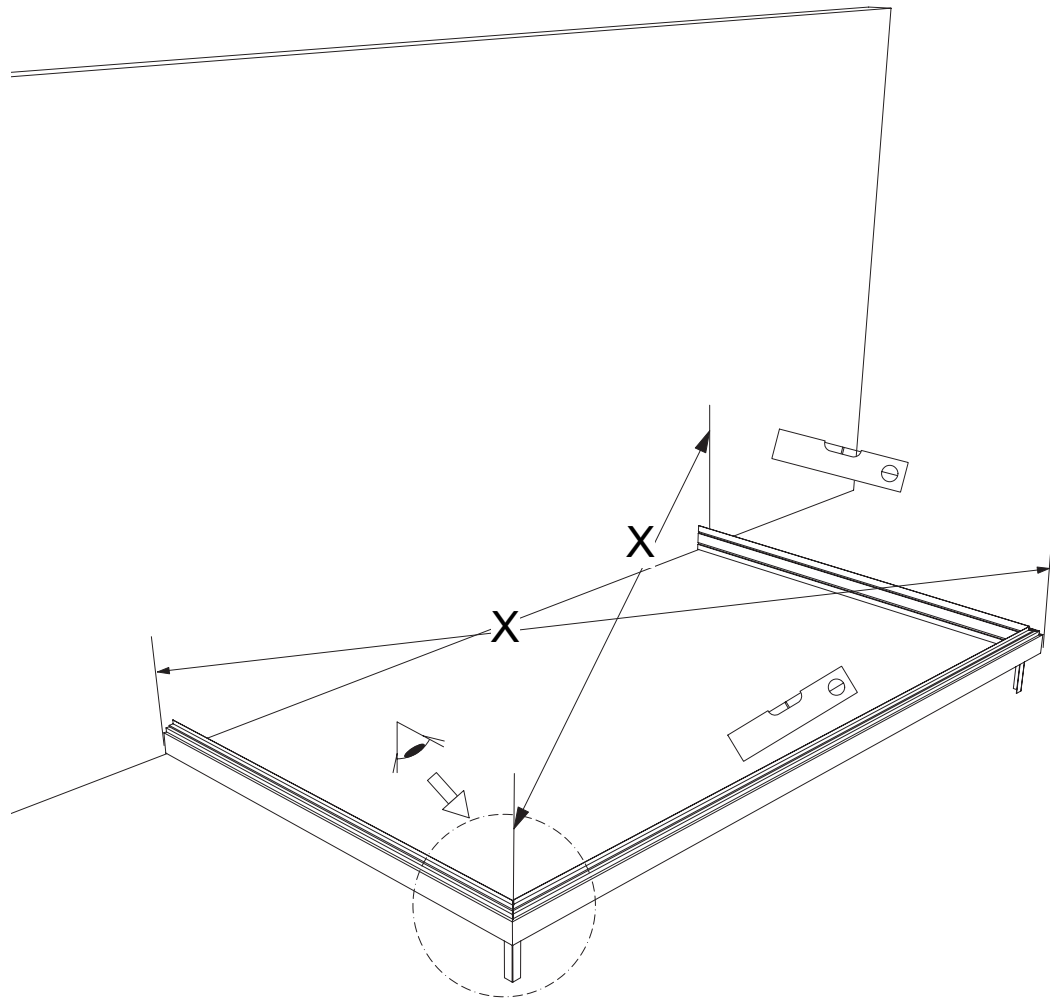
# MUURSERRE TROPIC

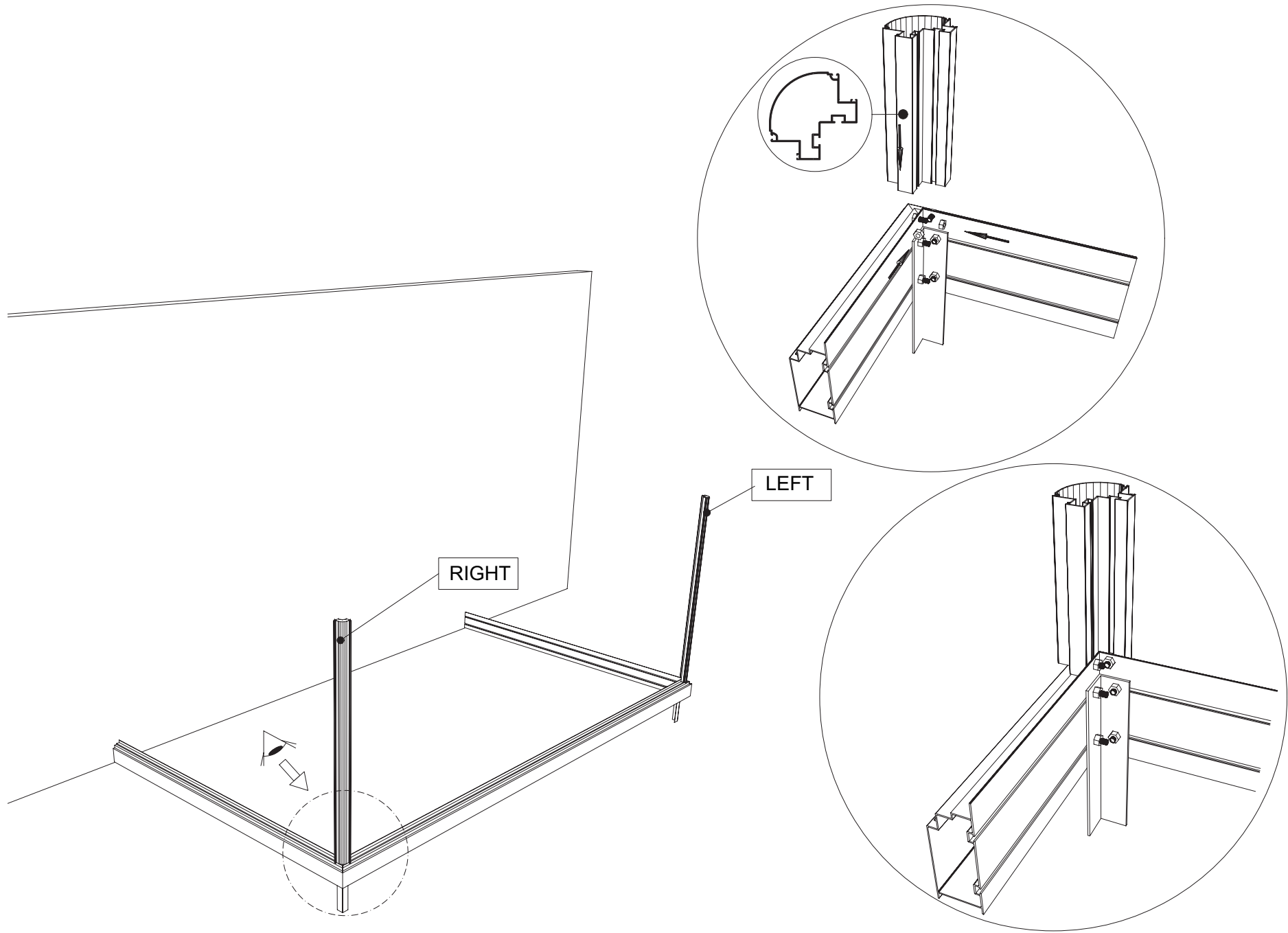


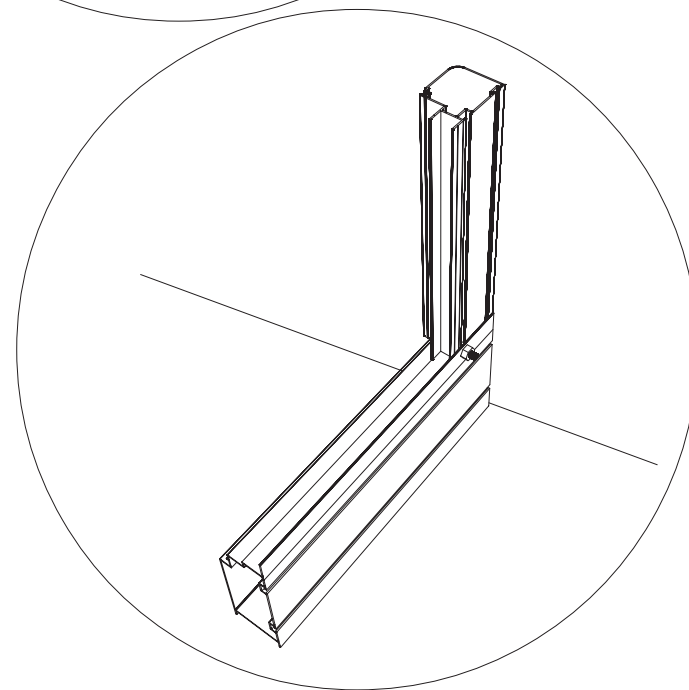
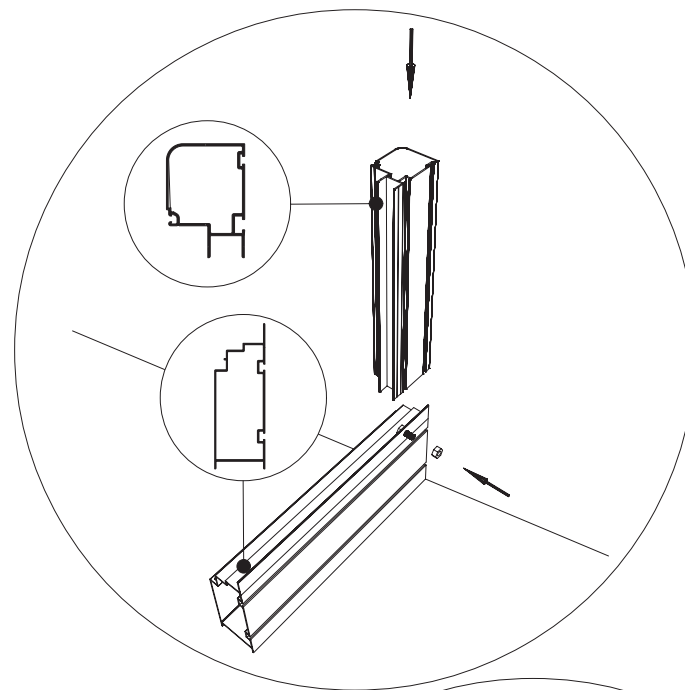
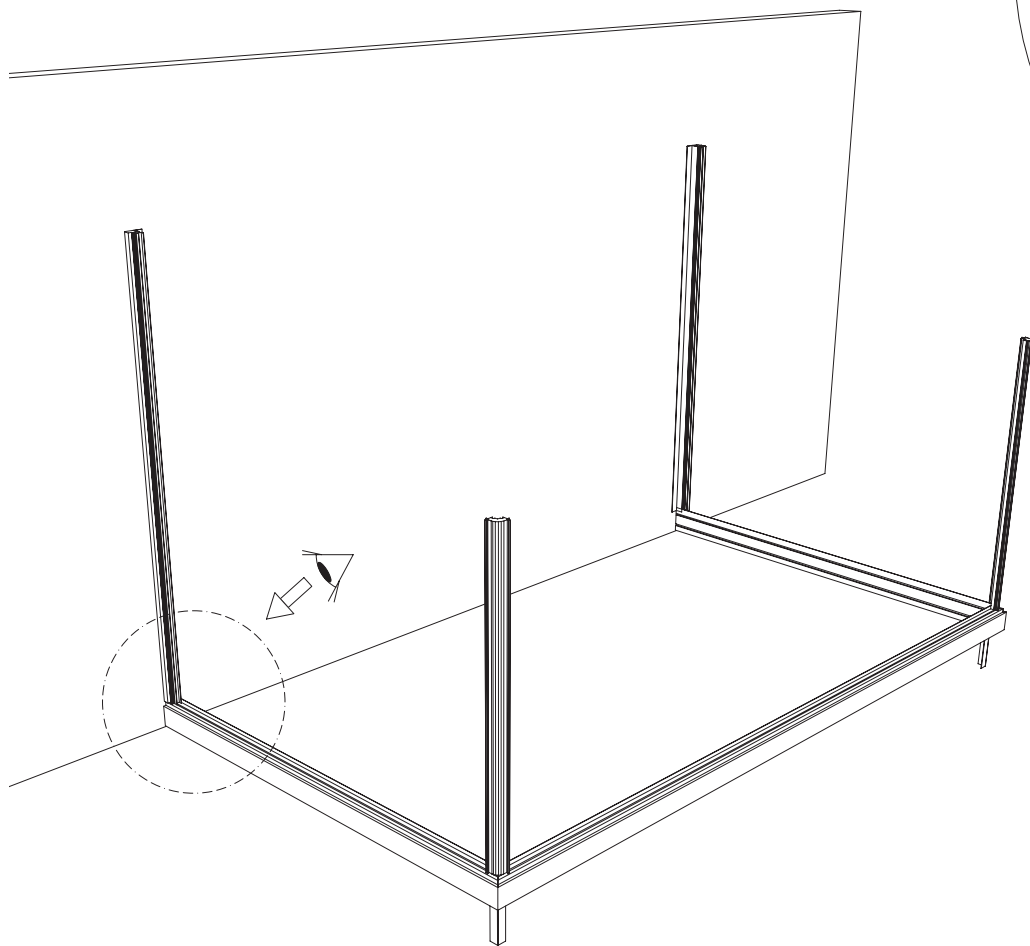
27-01-2012

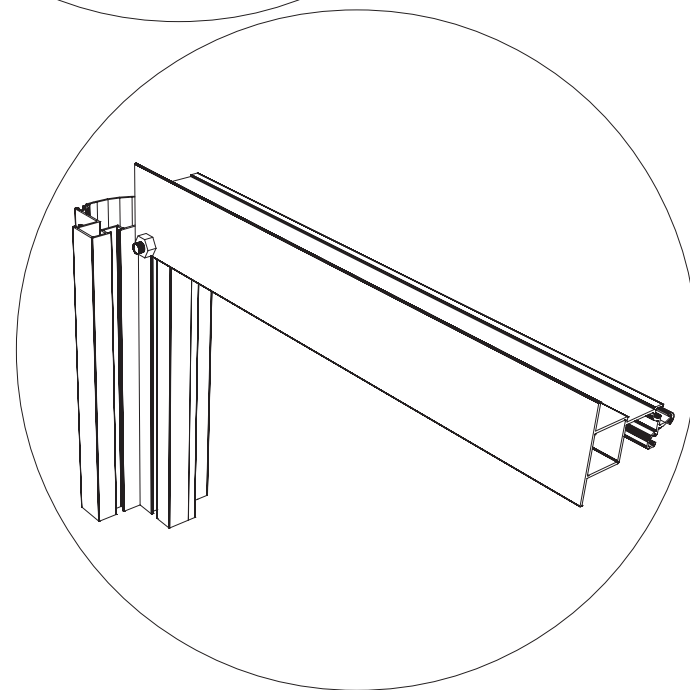
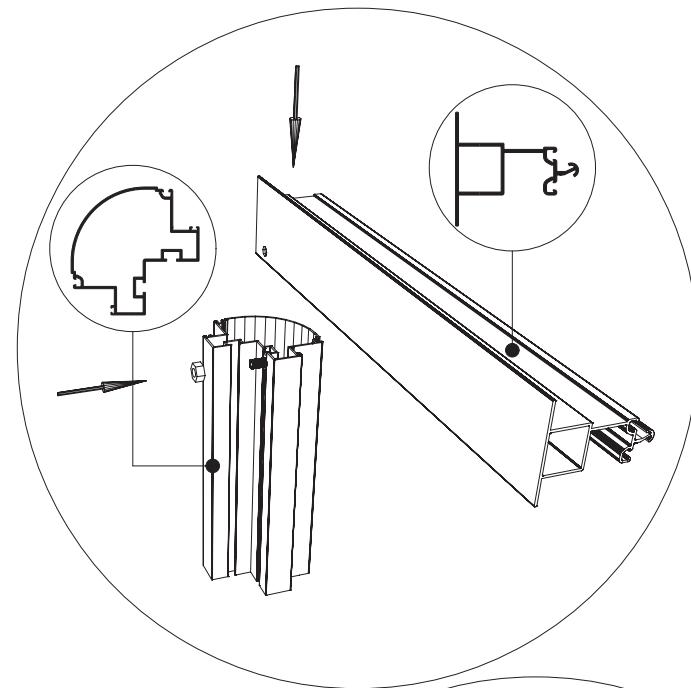
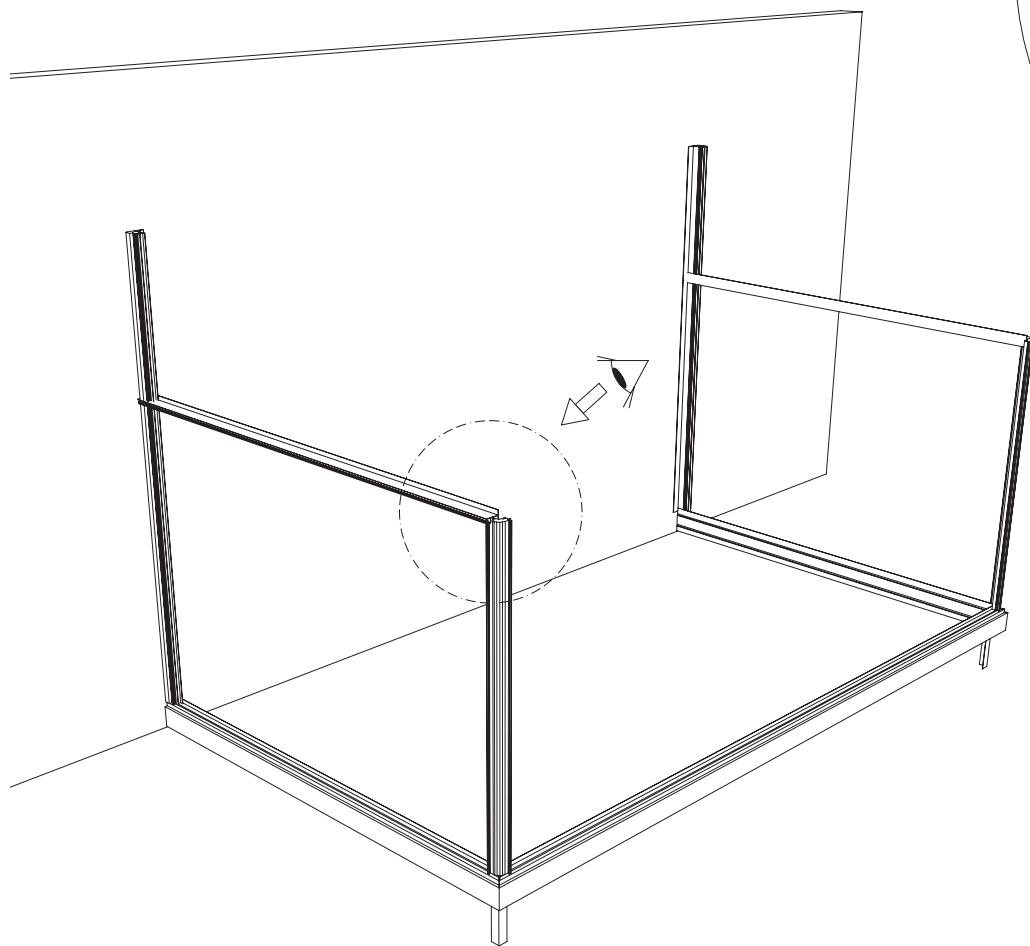
**euro-serre**

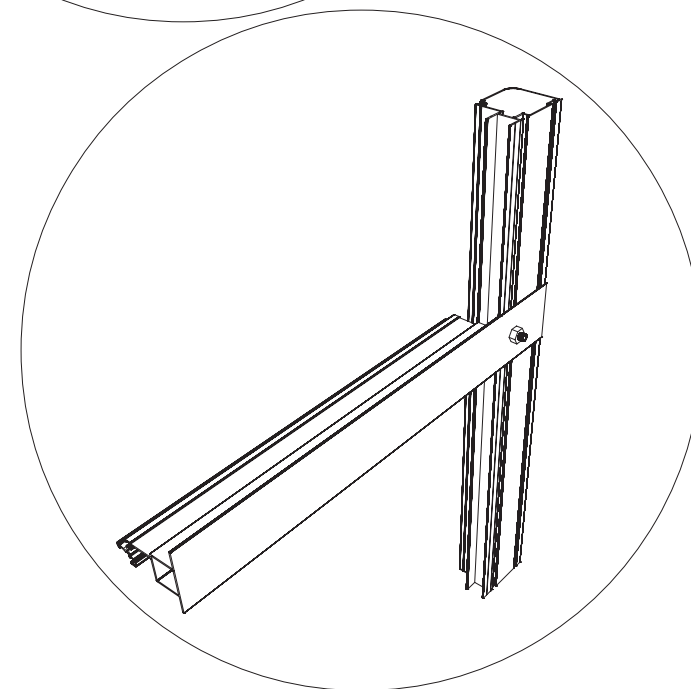
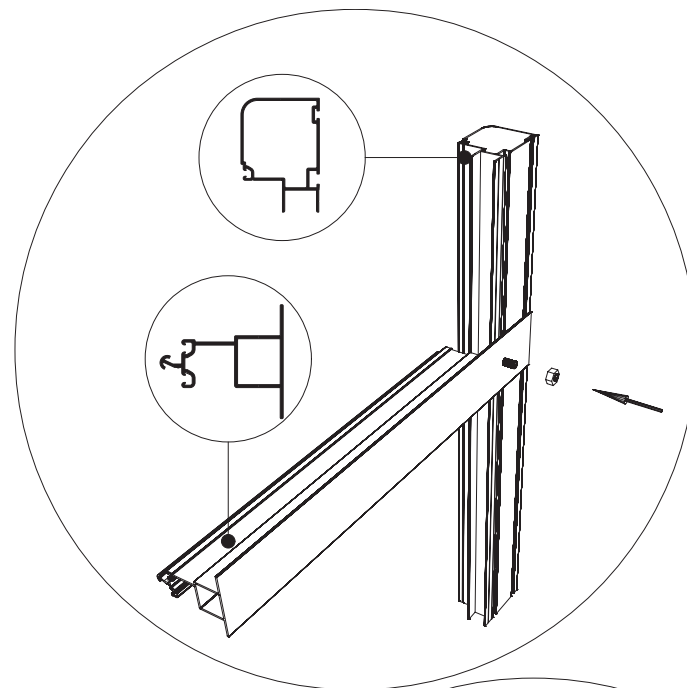
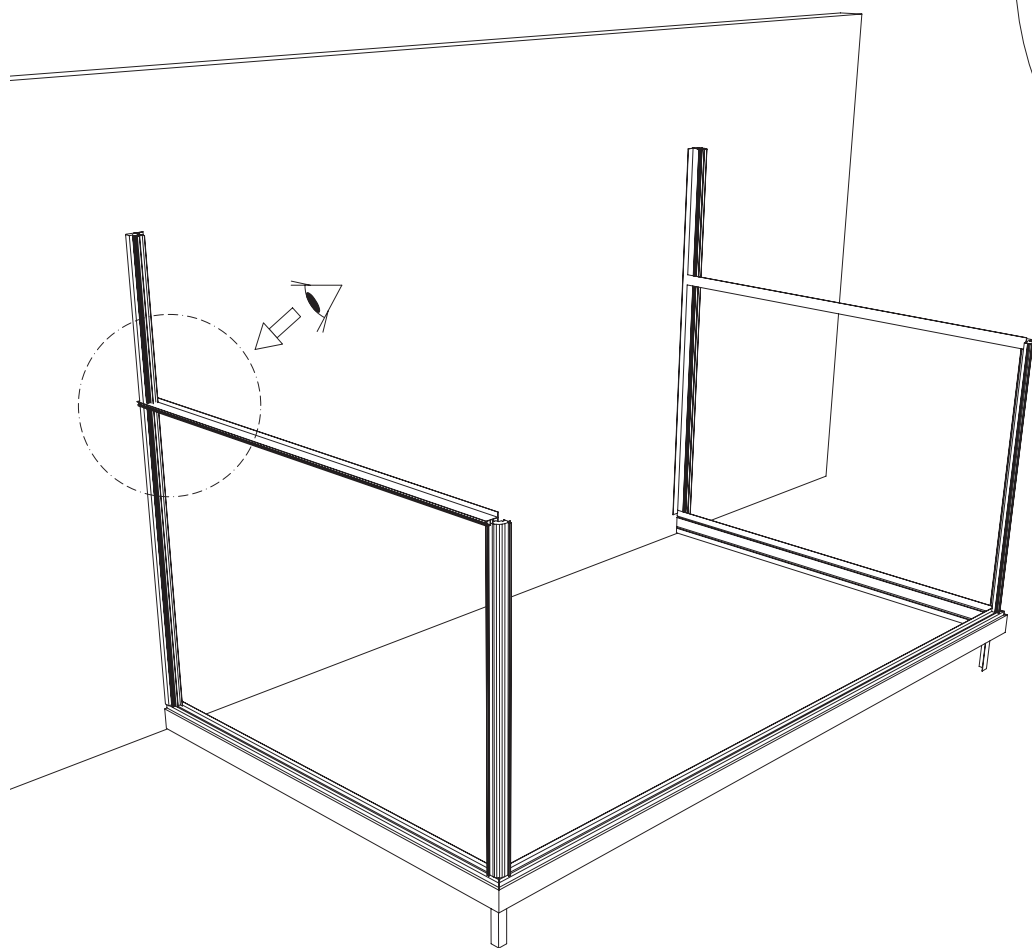


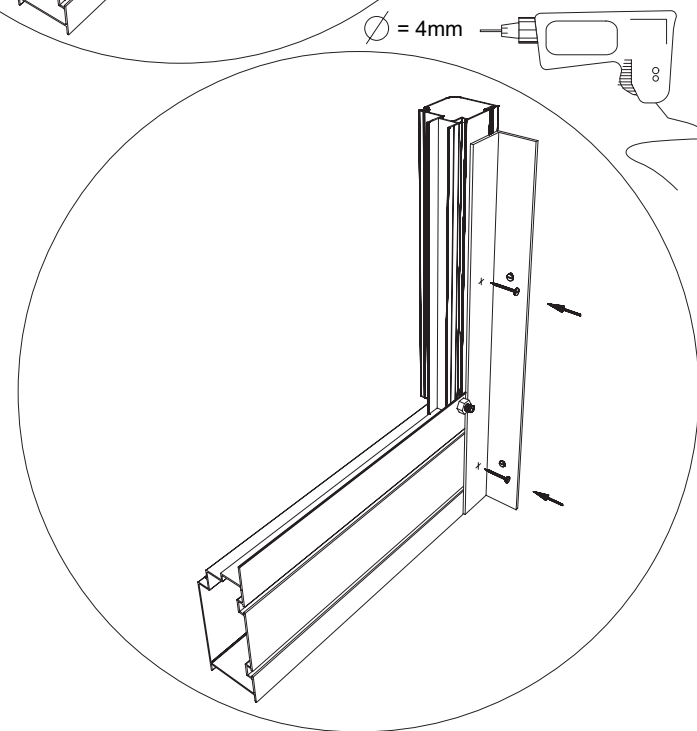
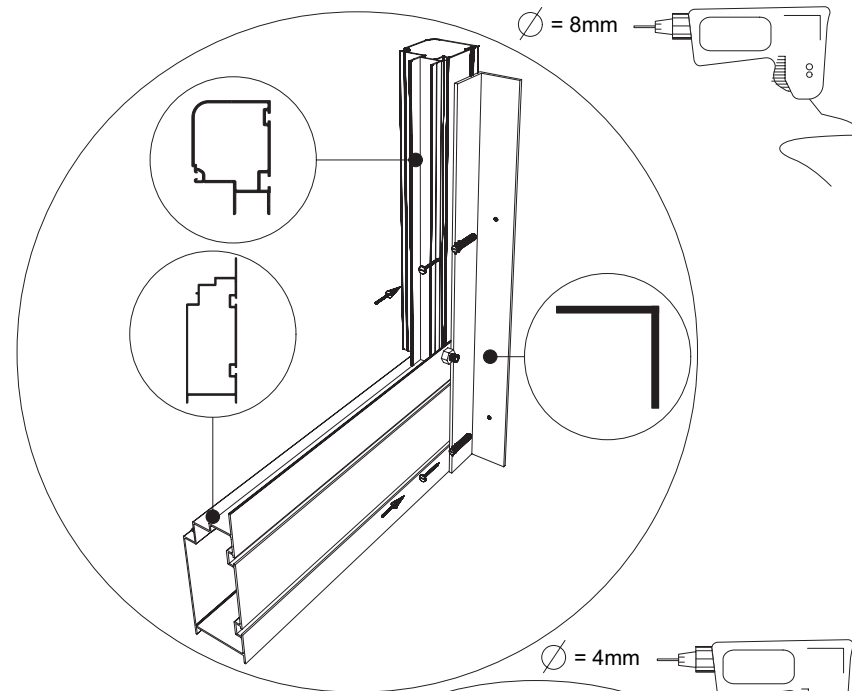
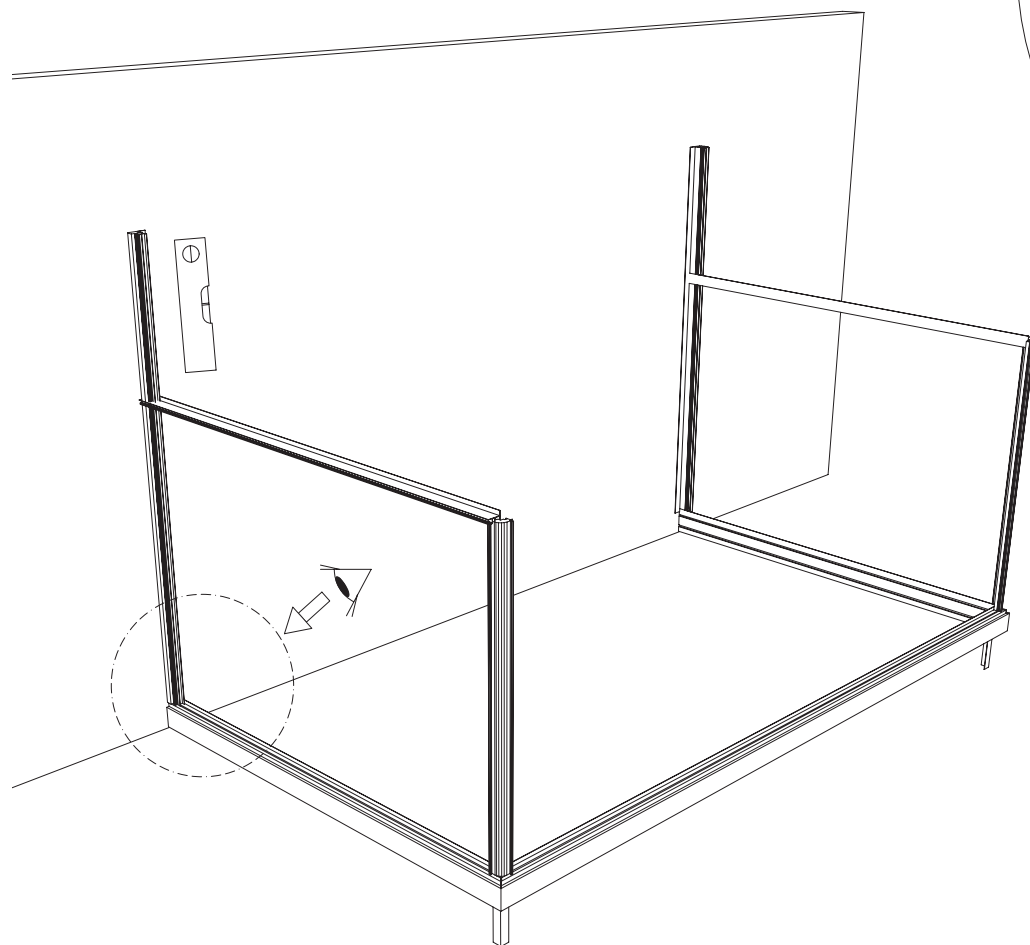




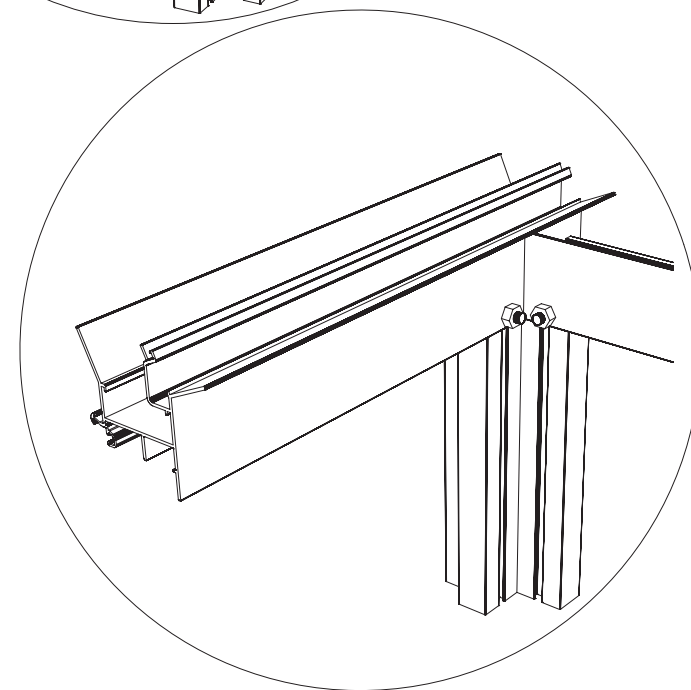
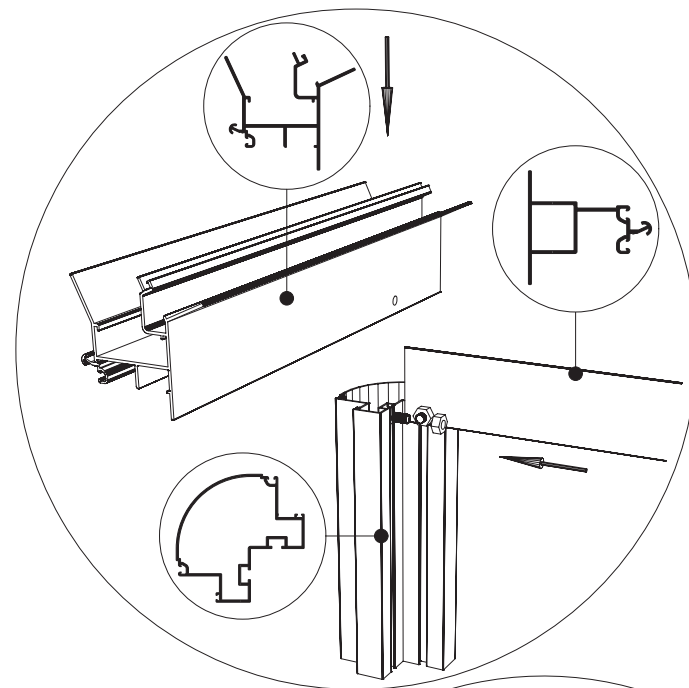
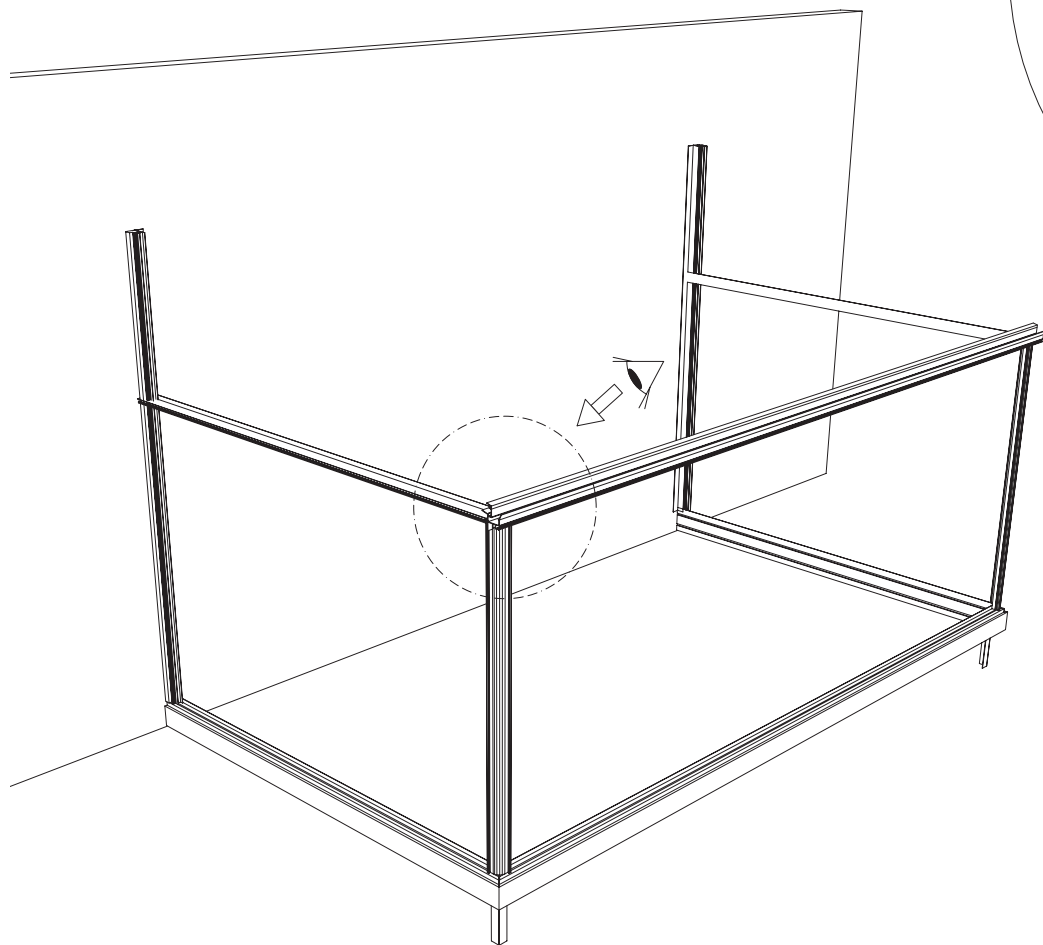


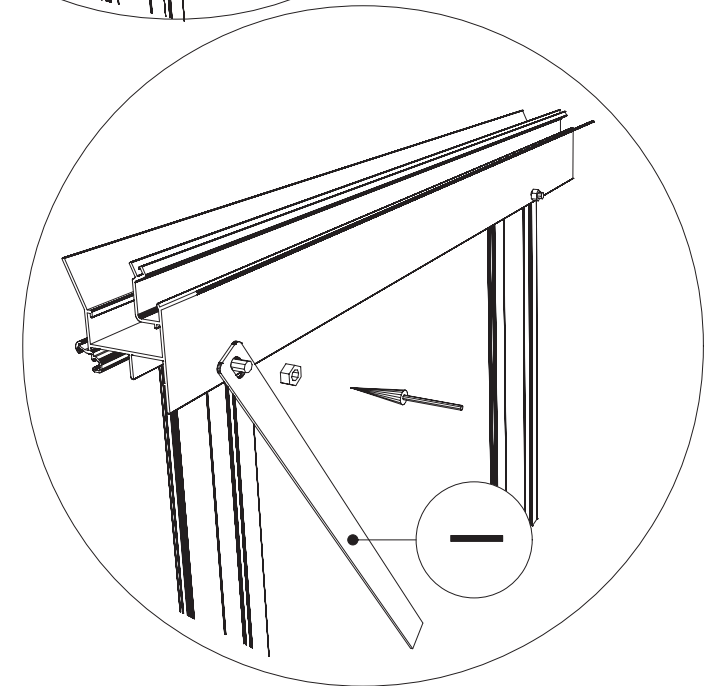
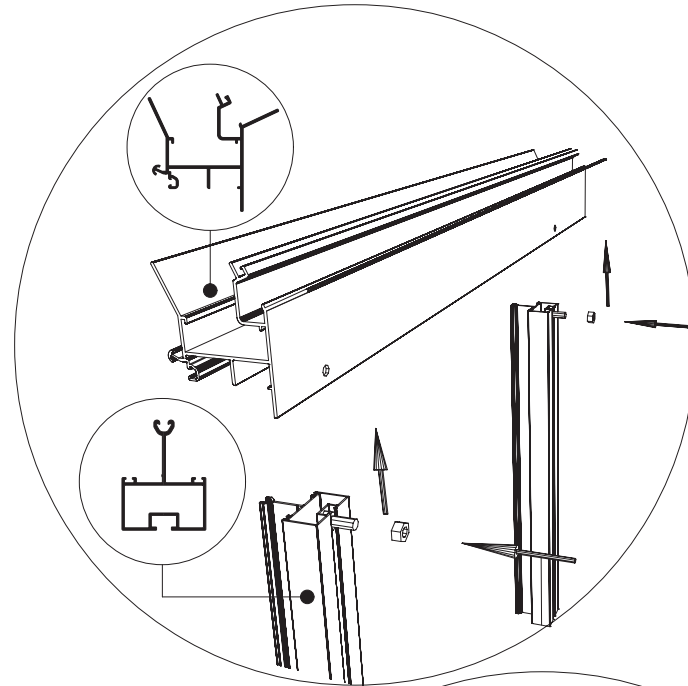
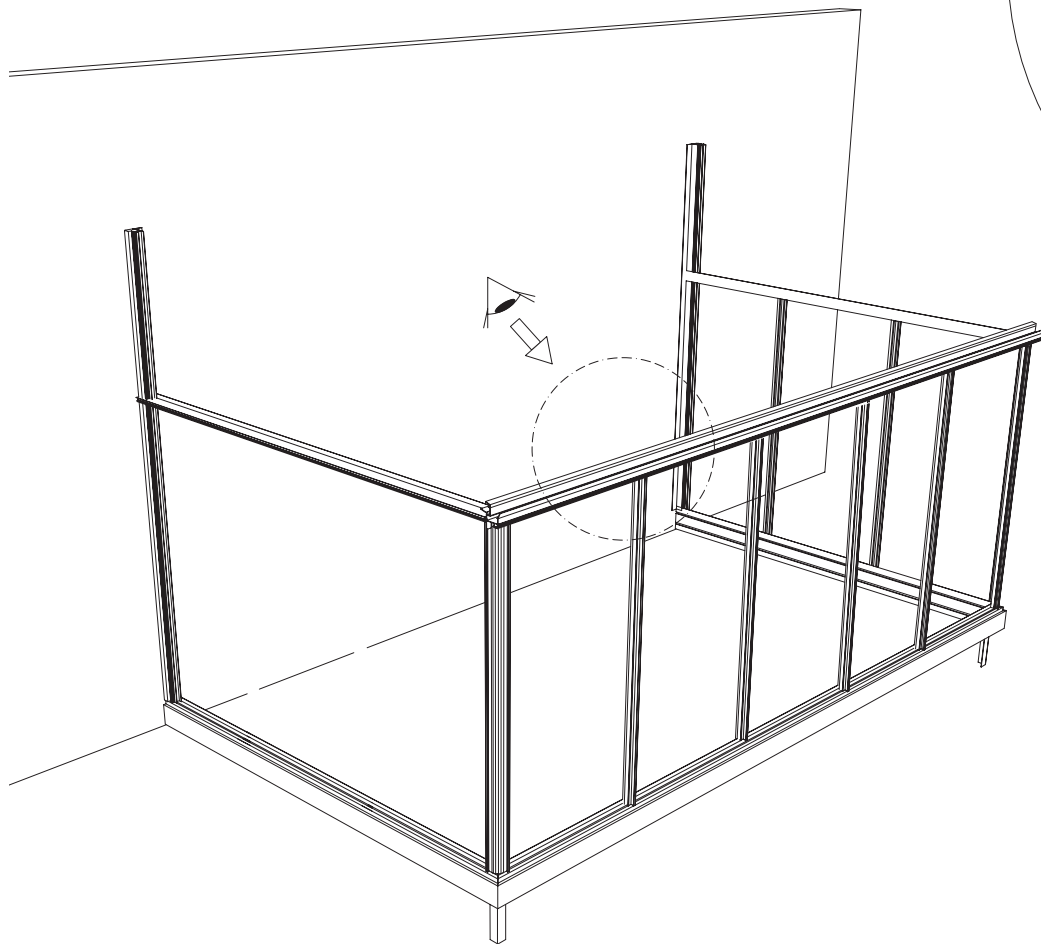


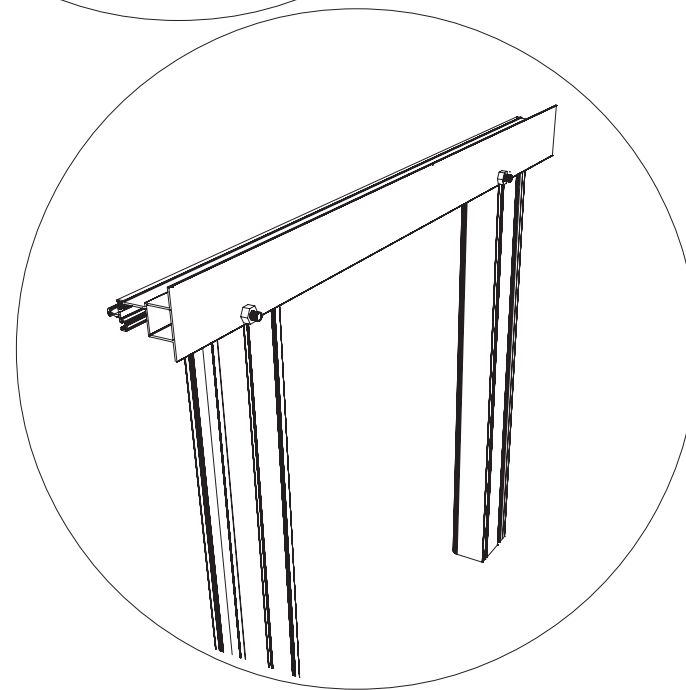
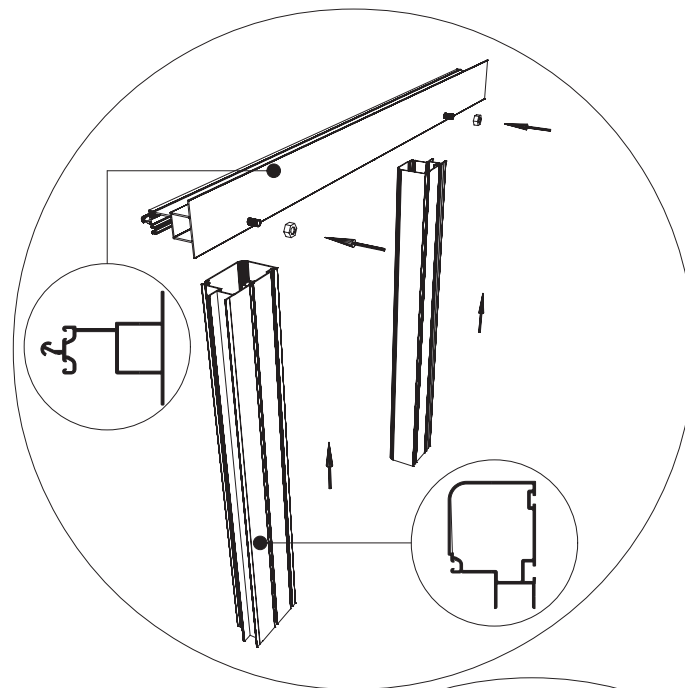
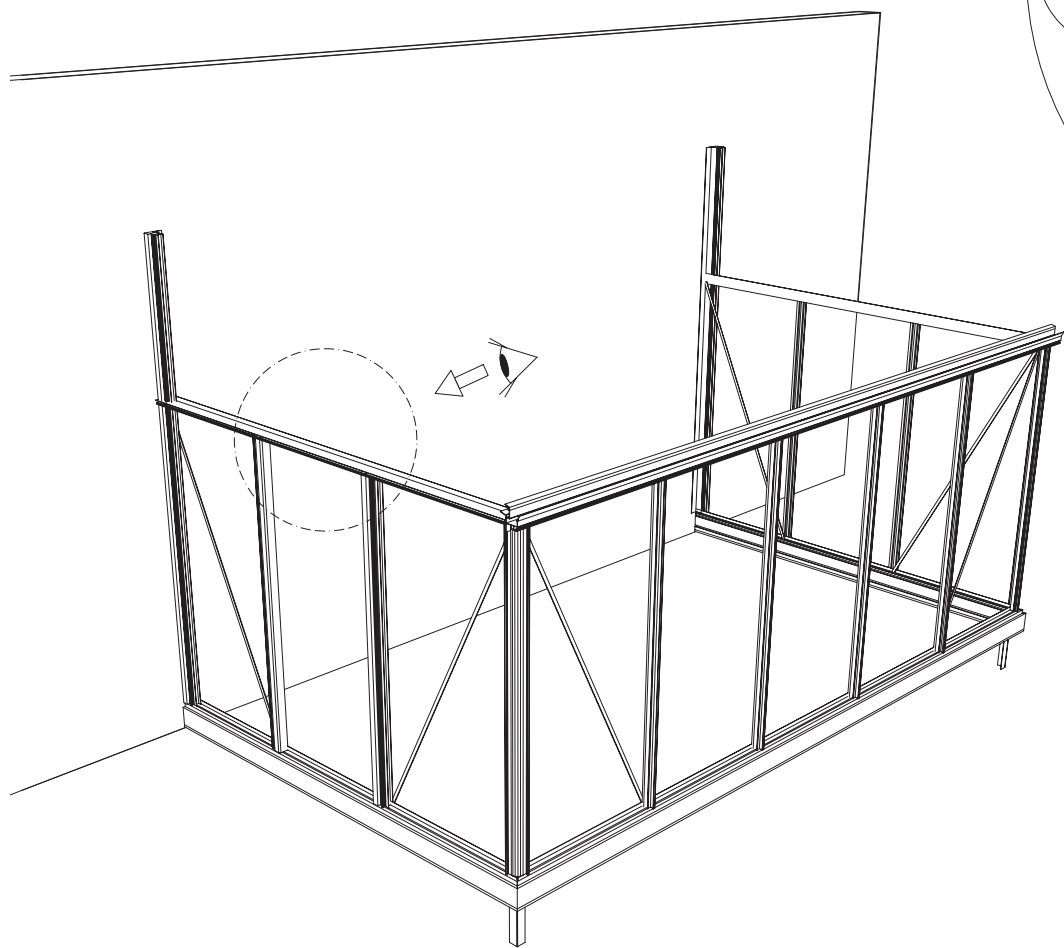


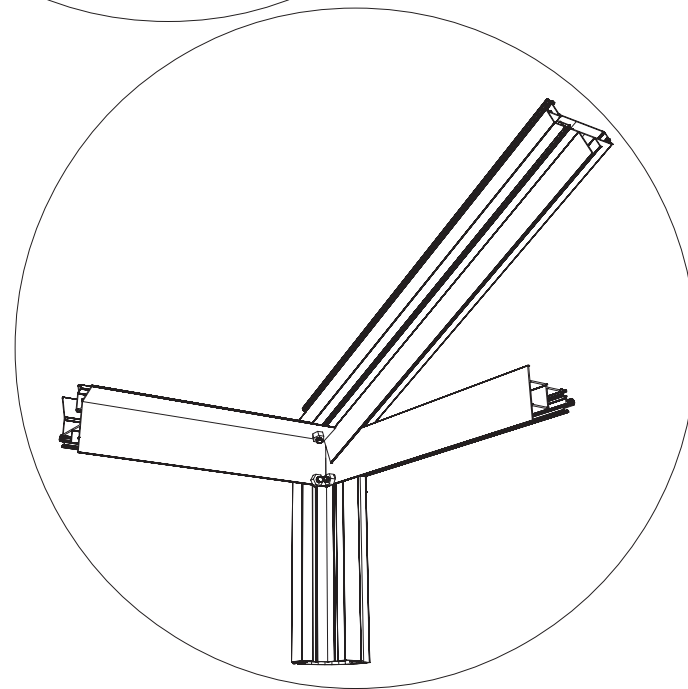
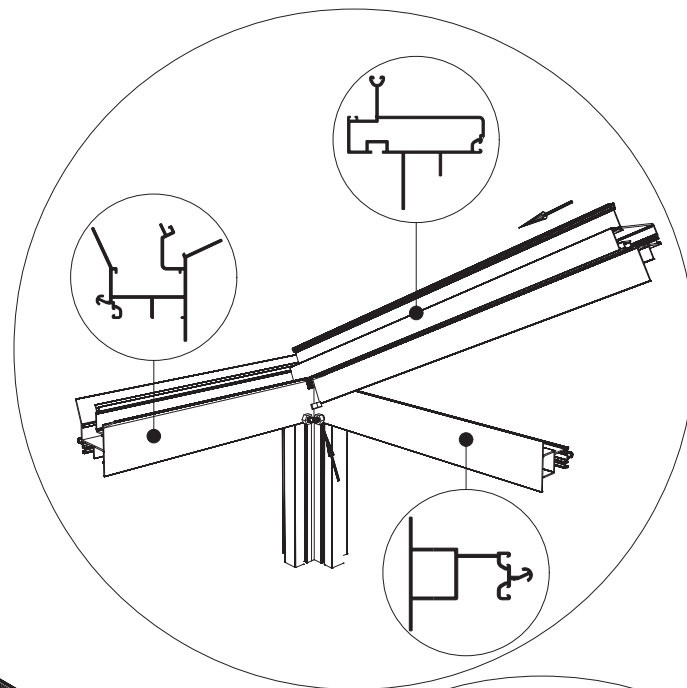
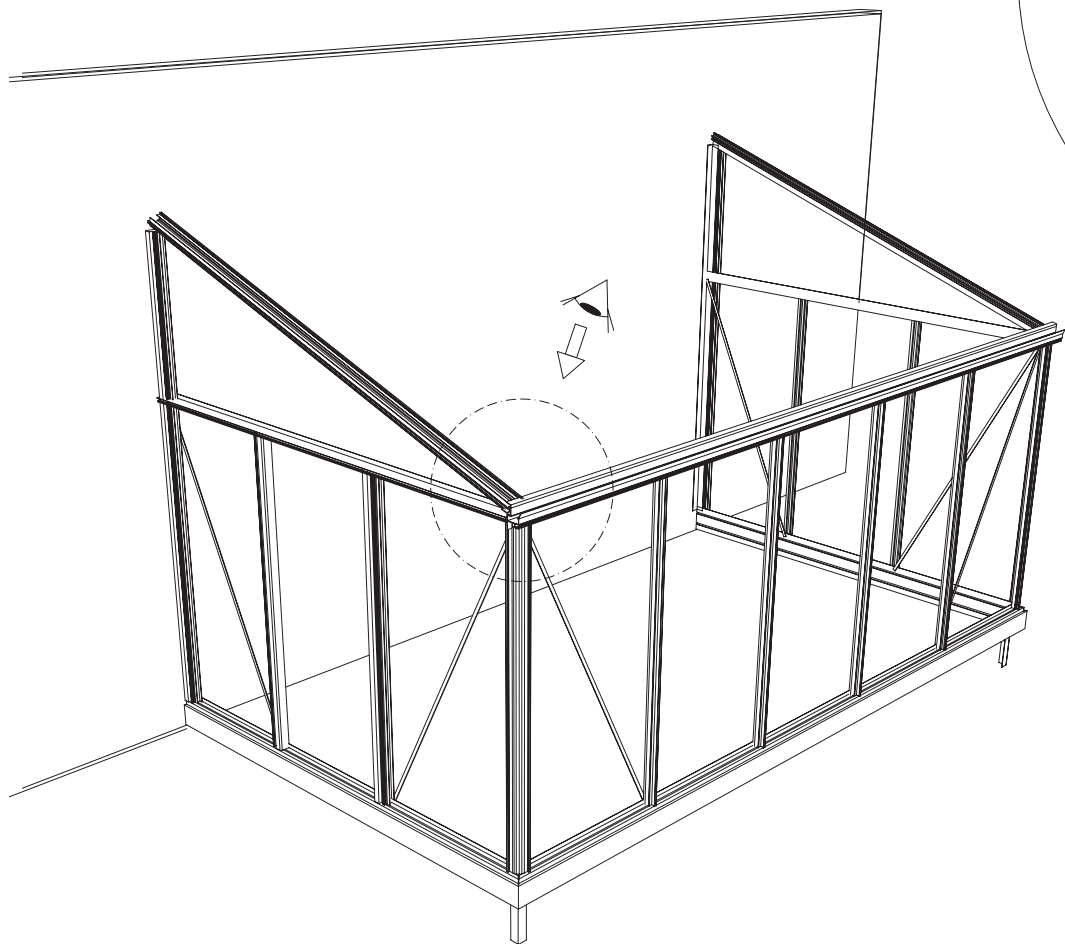


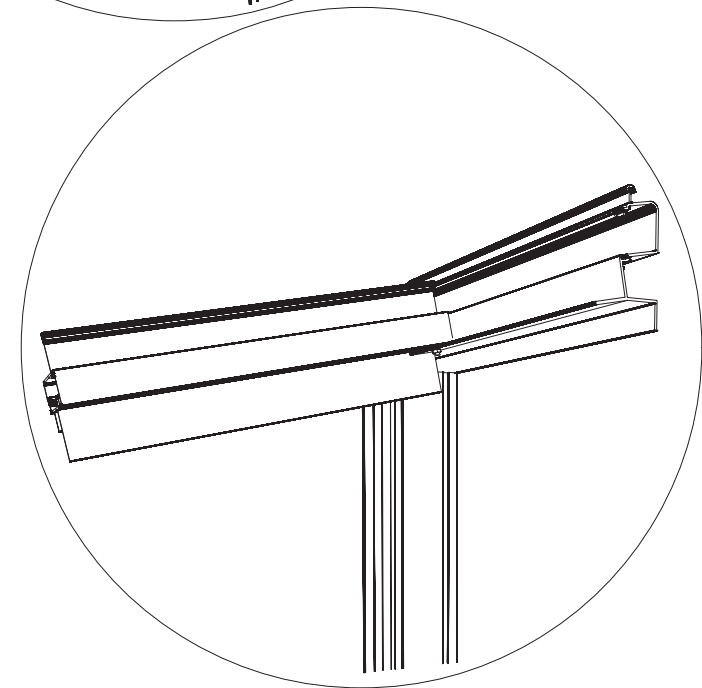
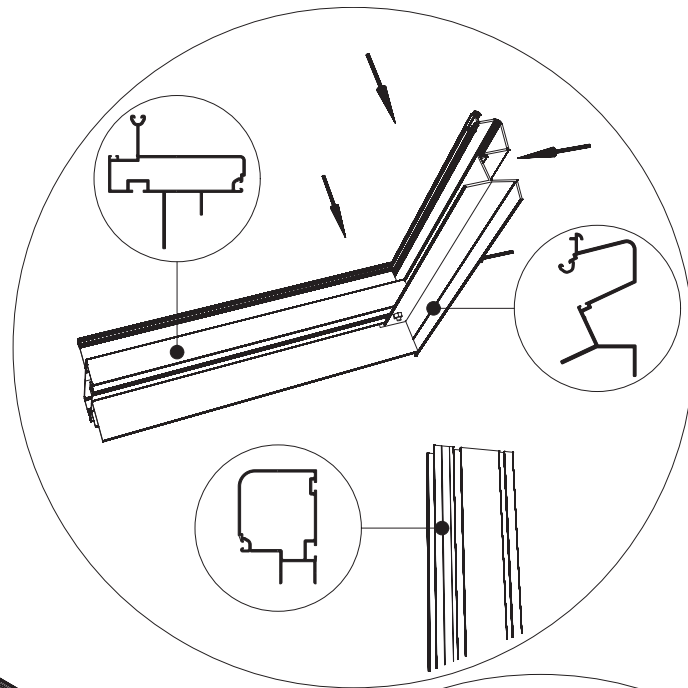
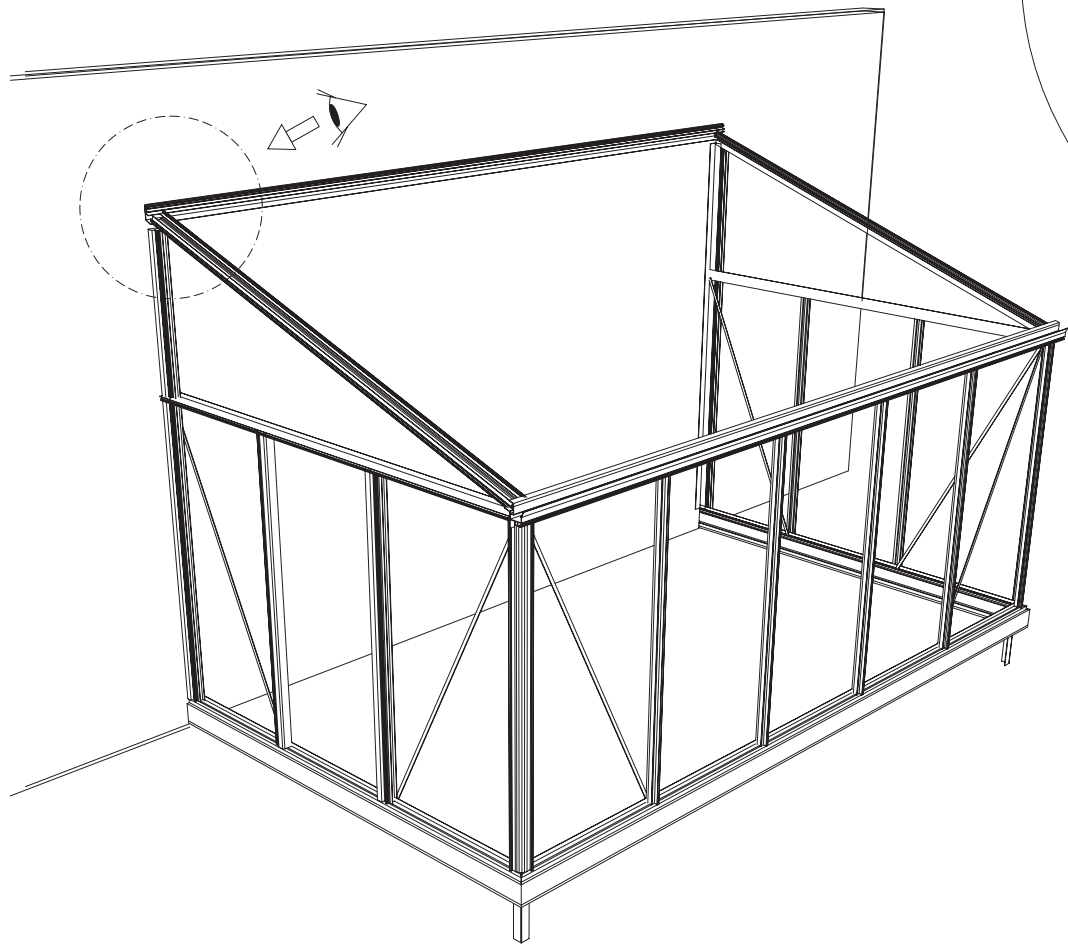


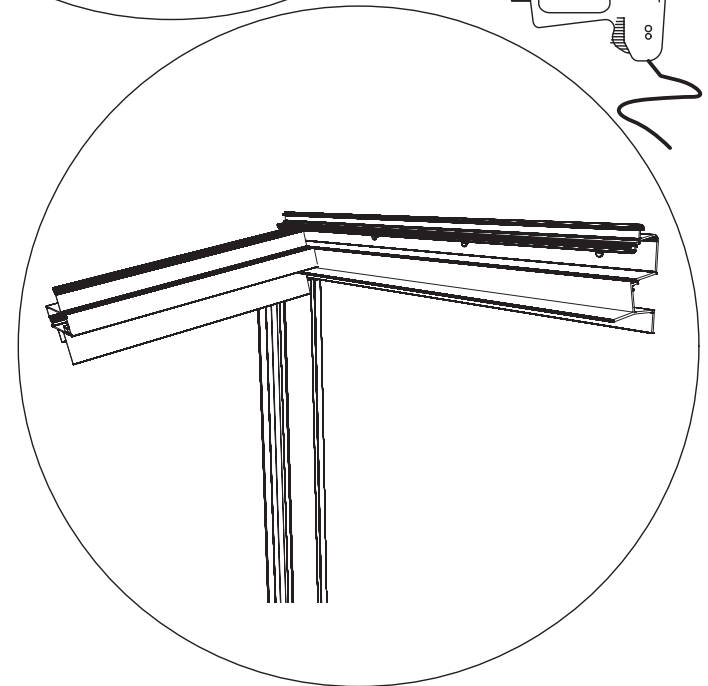
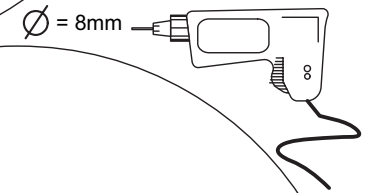
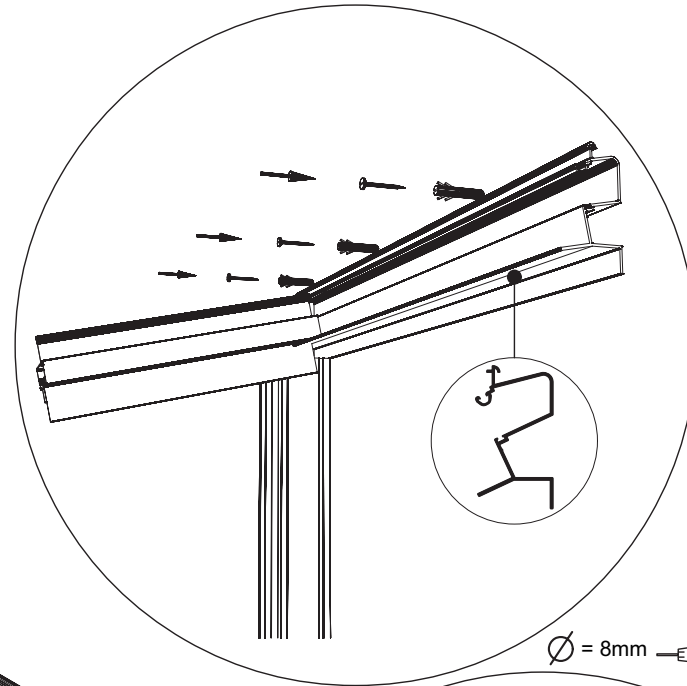
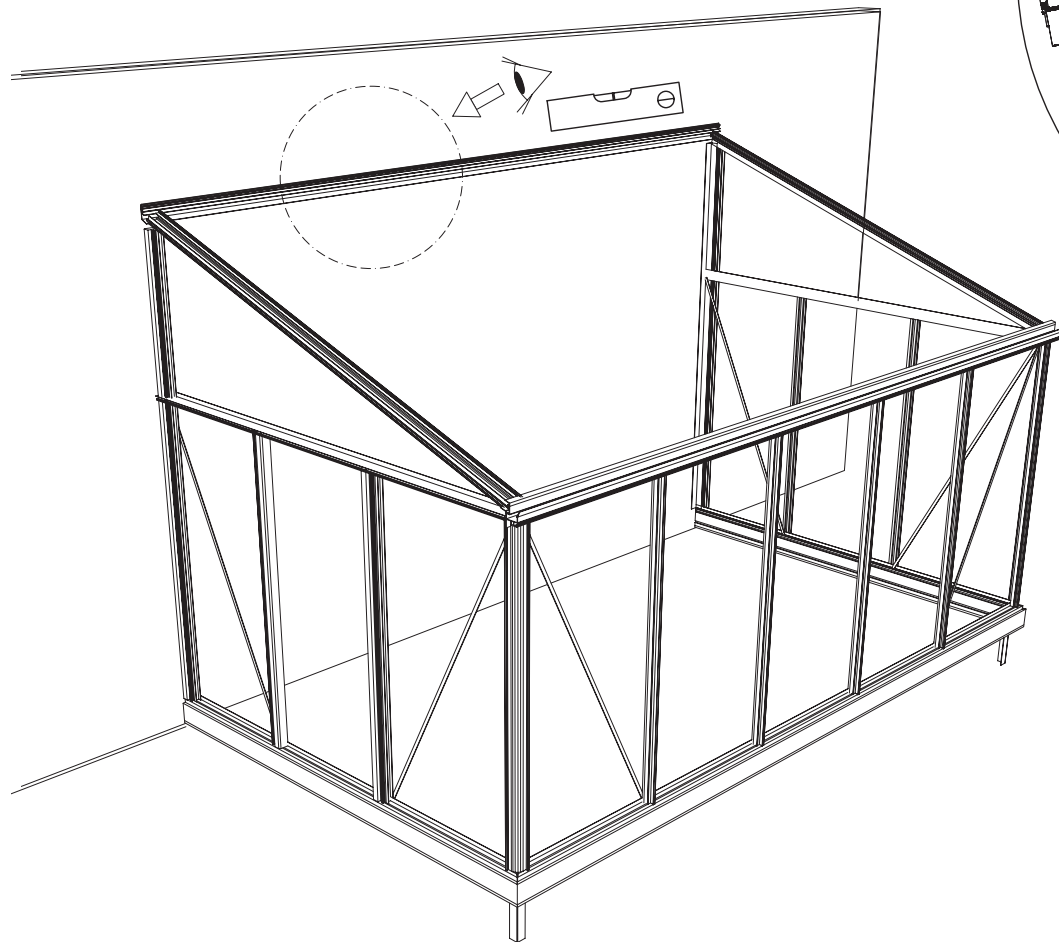


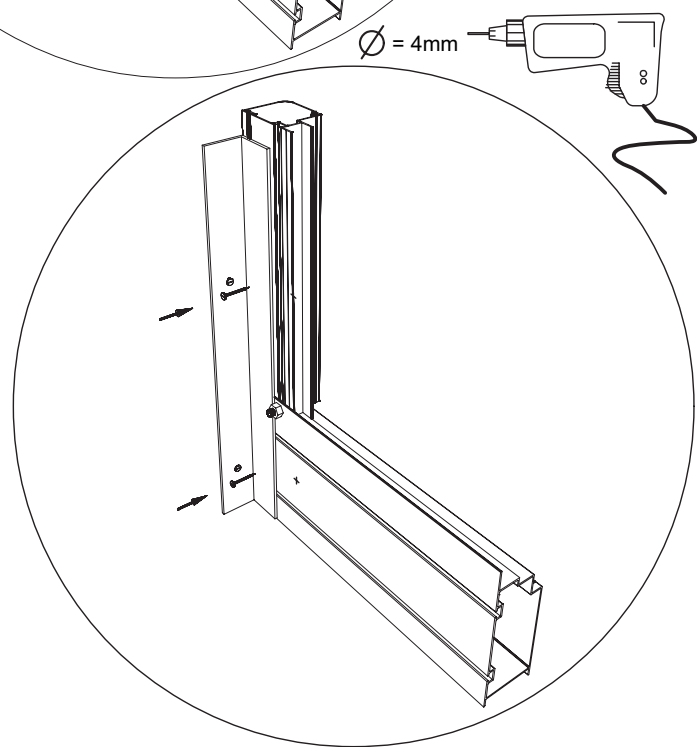
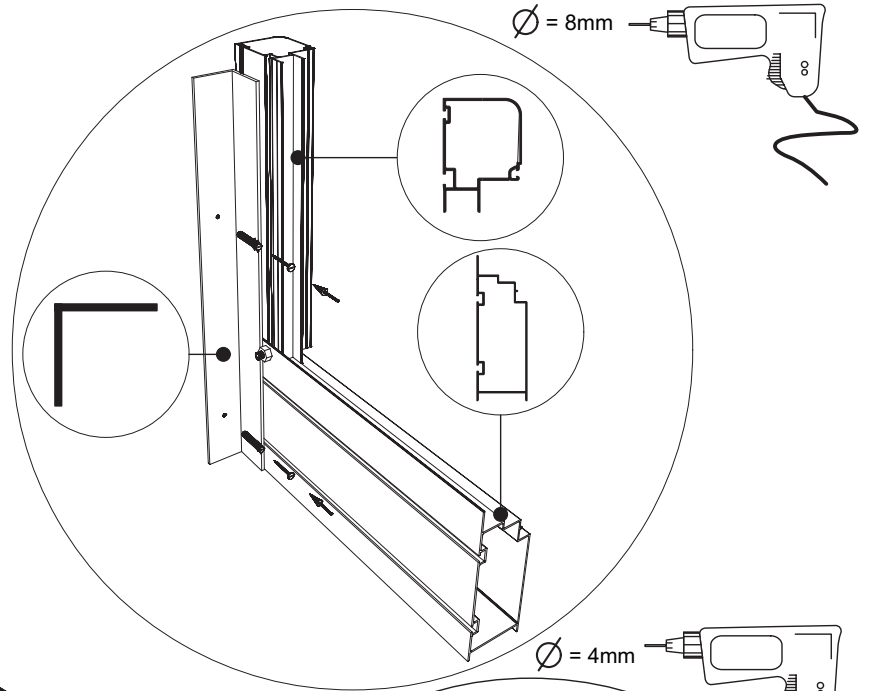
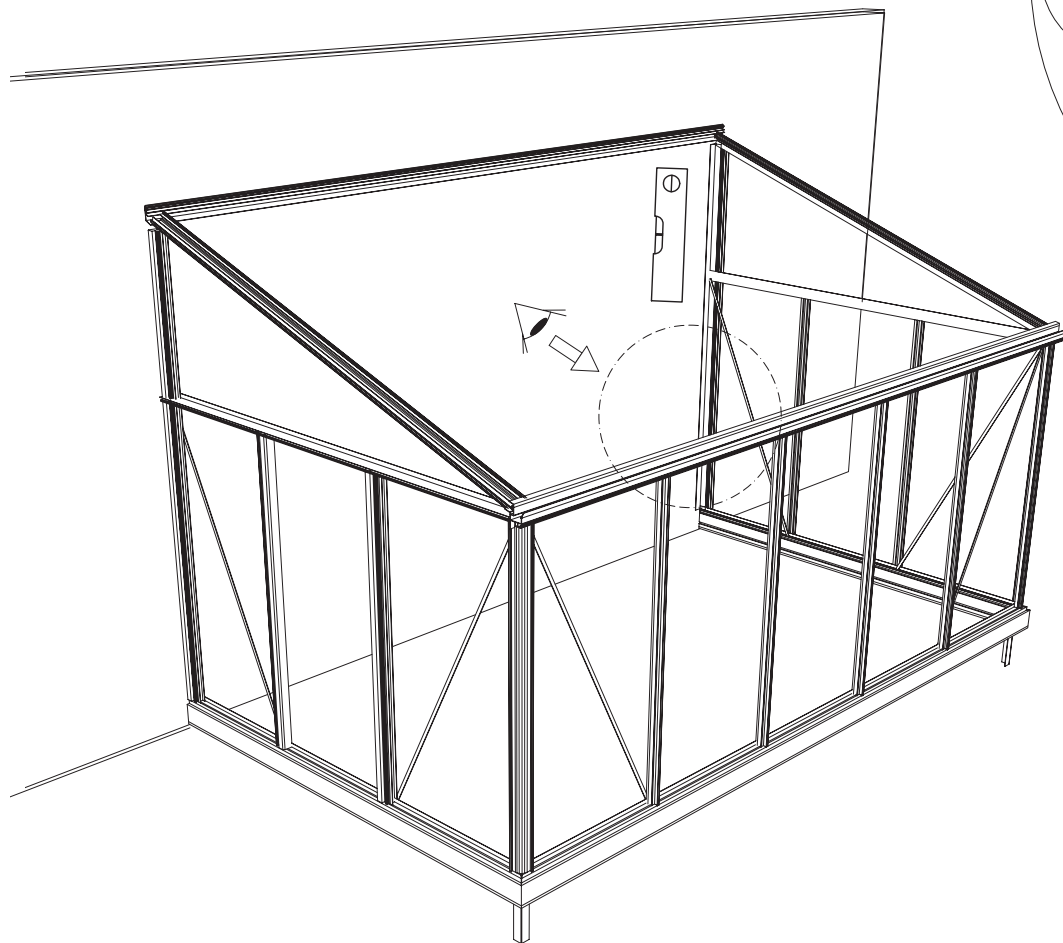


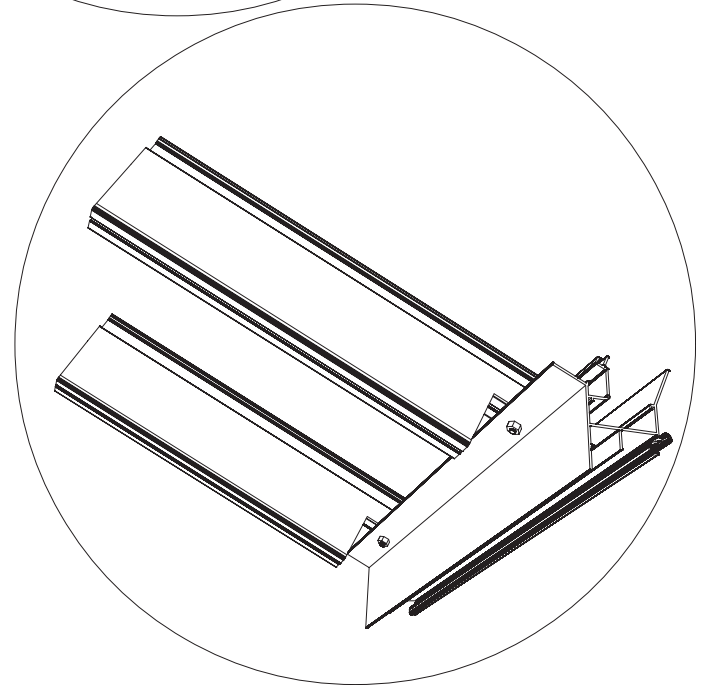
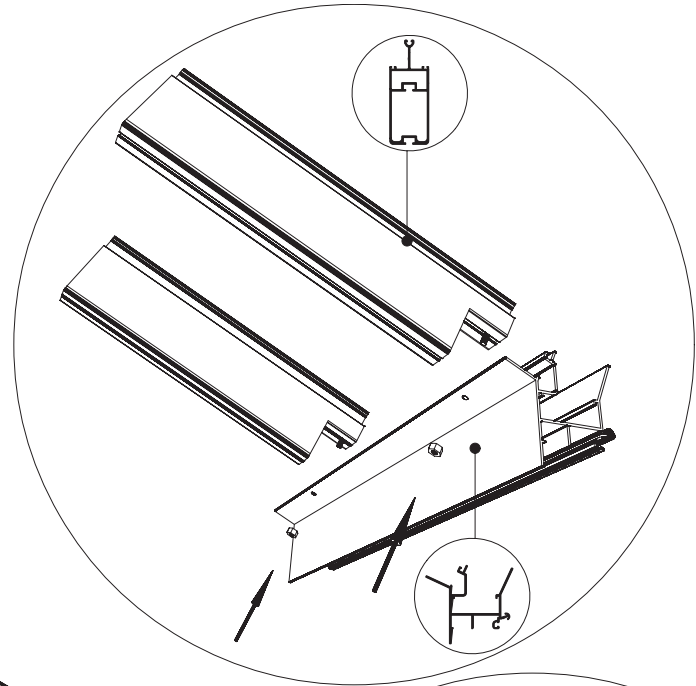
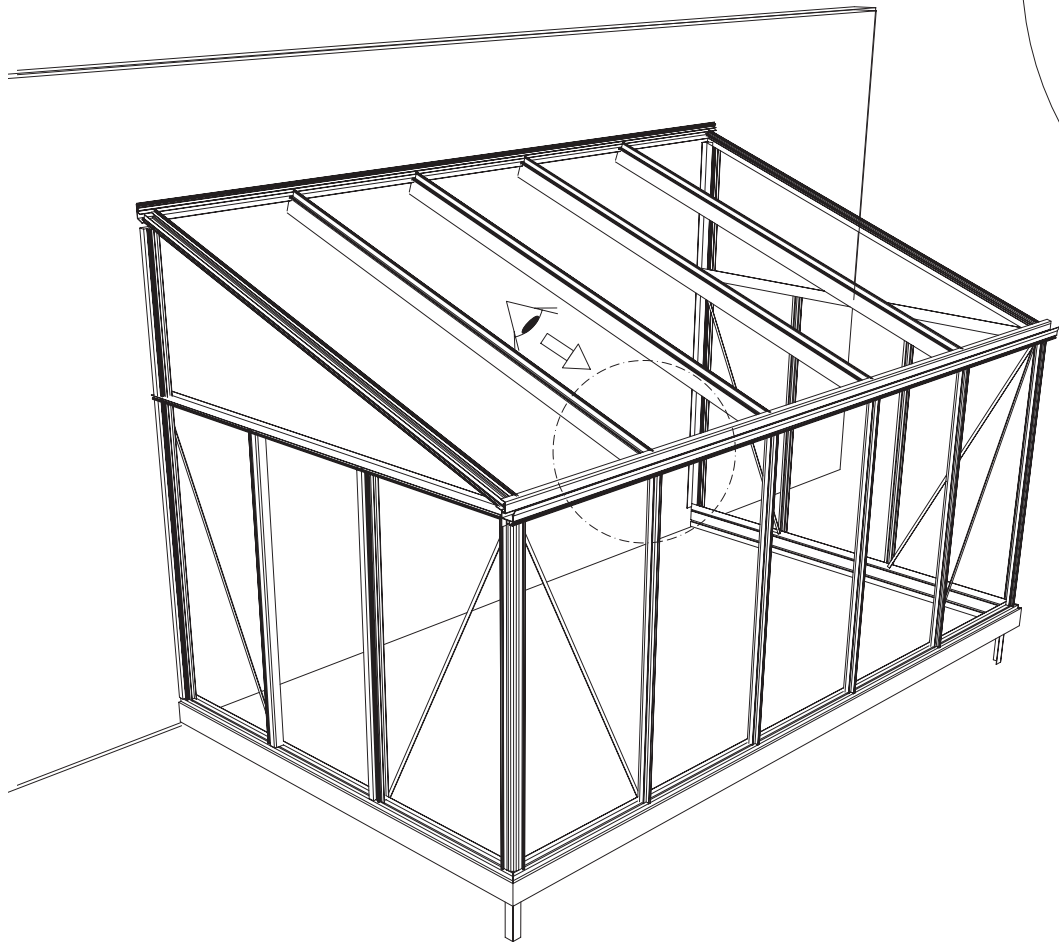




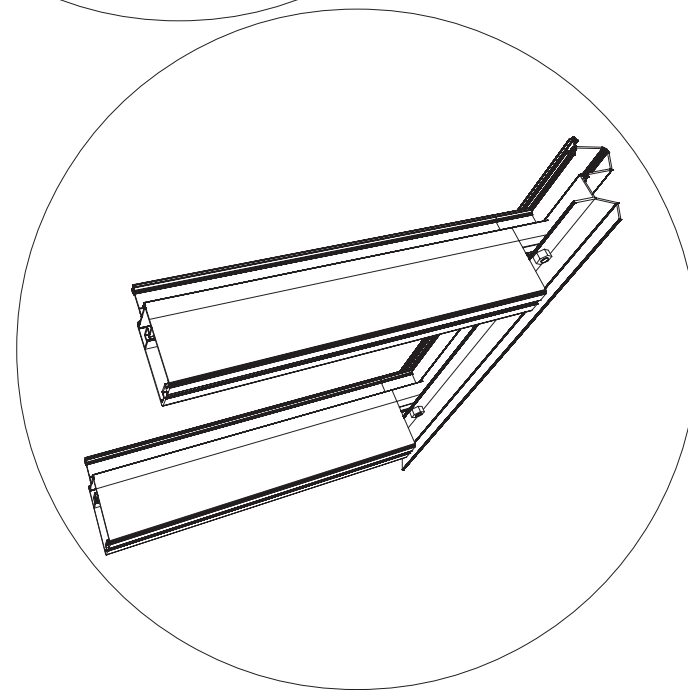
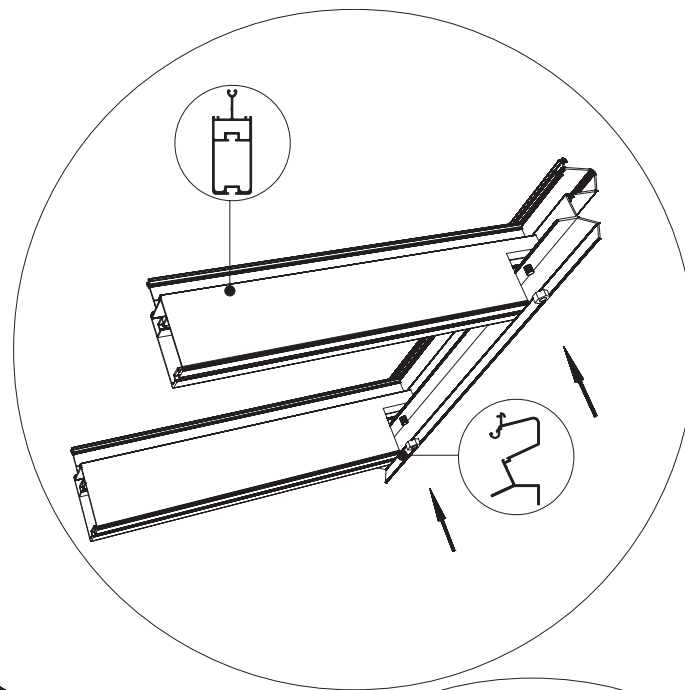
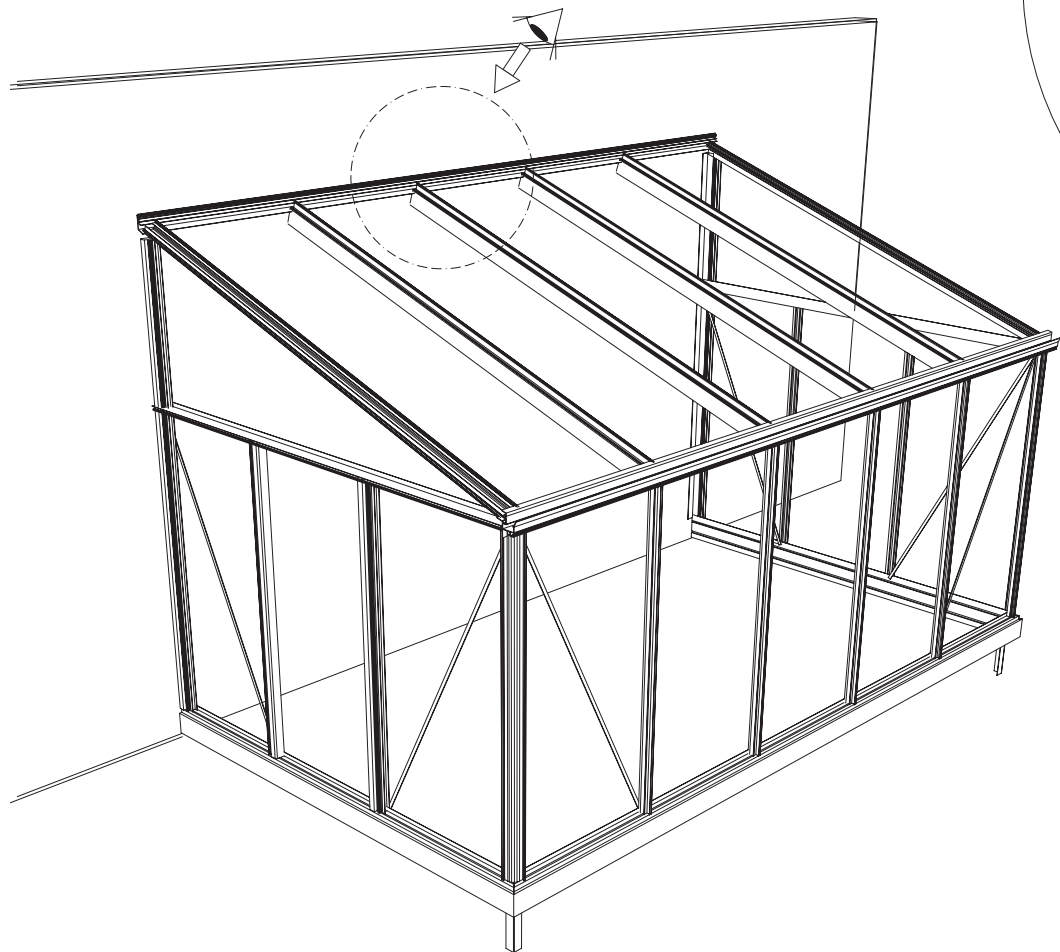


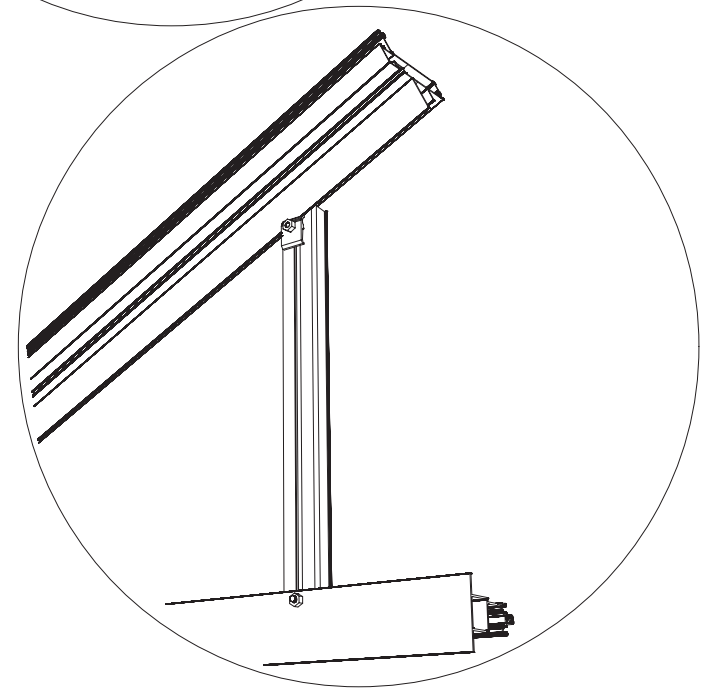
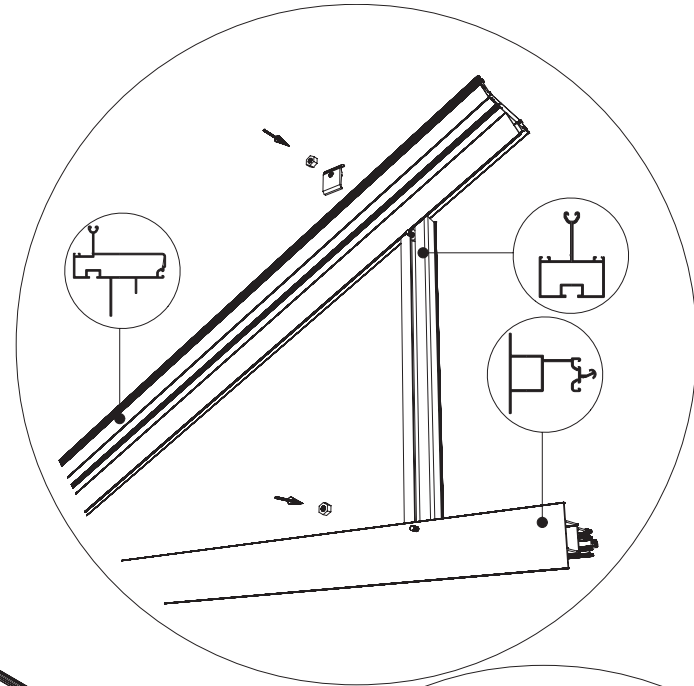
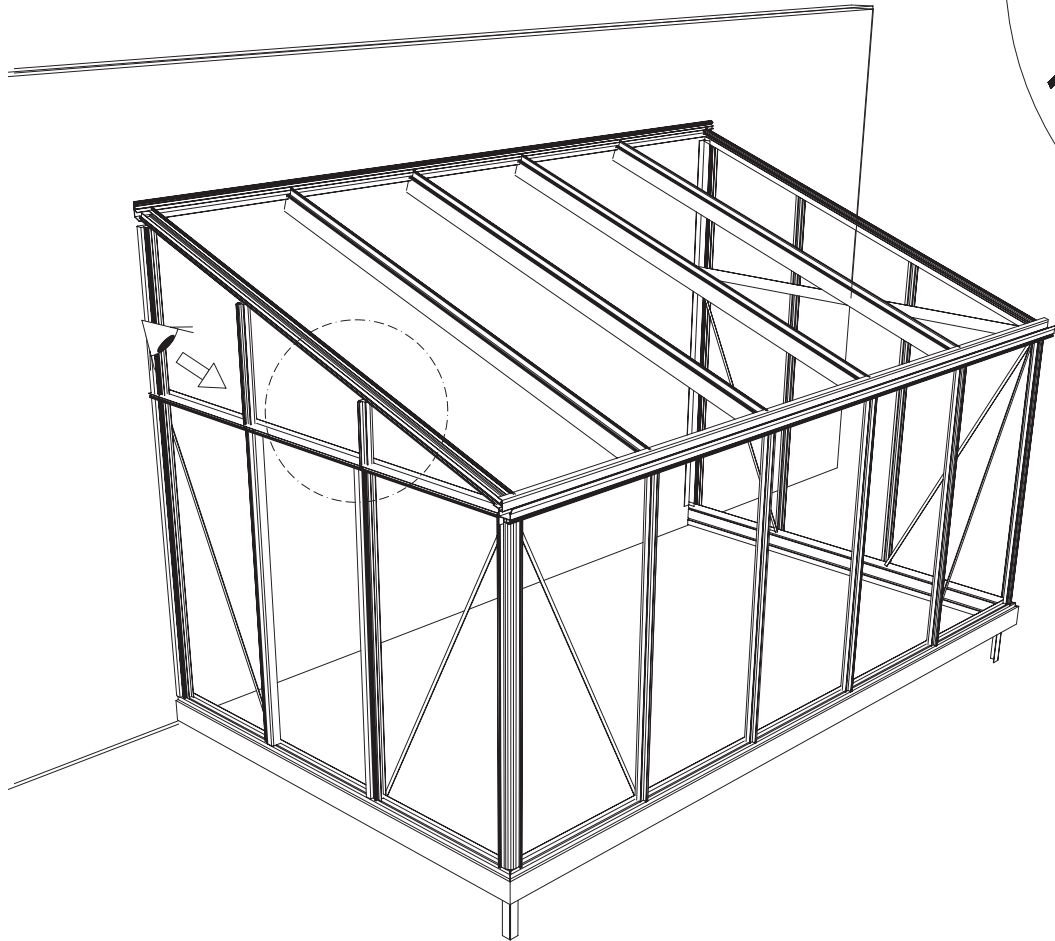


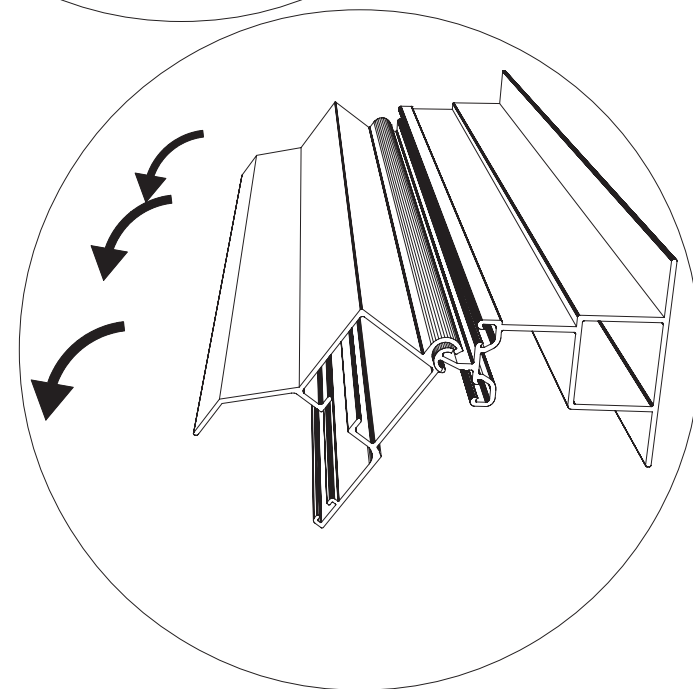
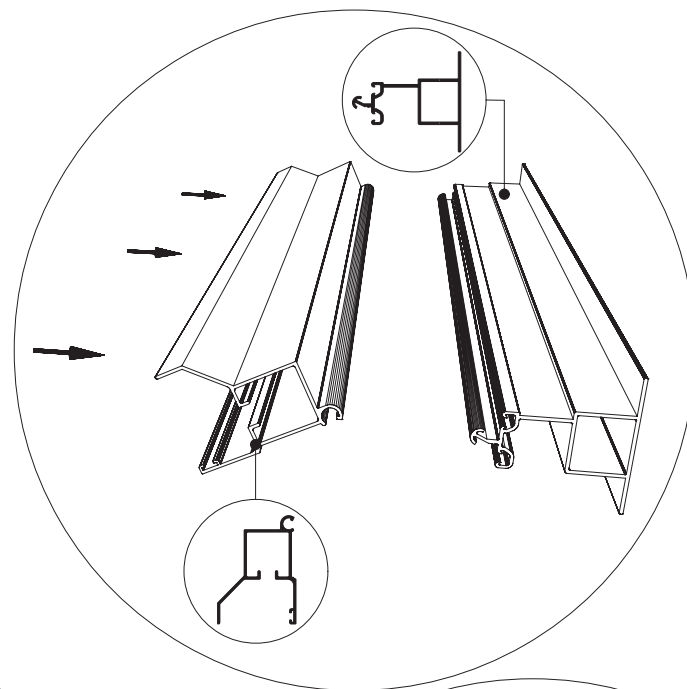
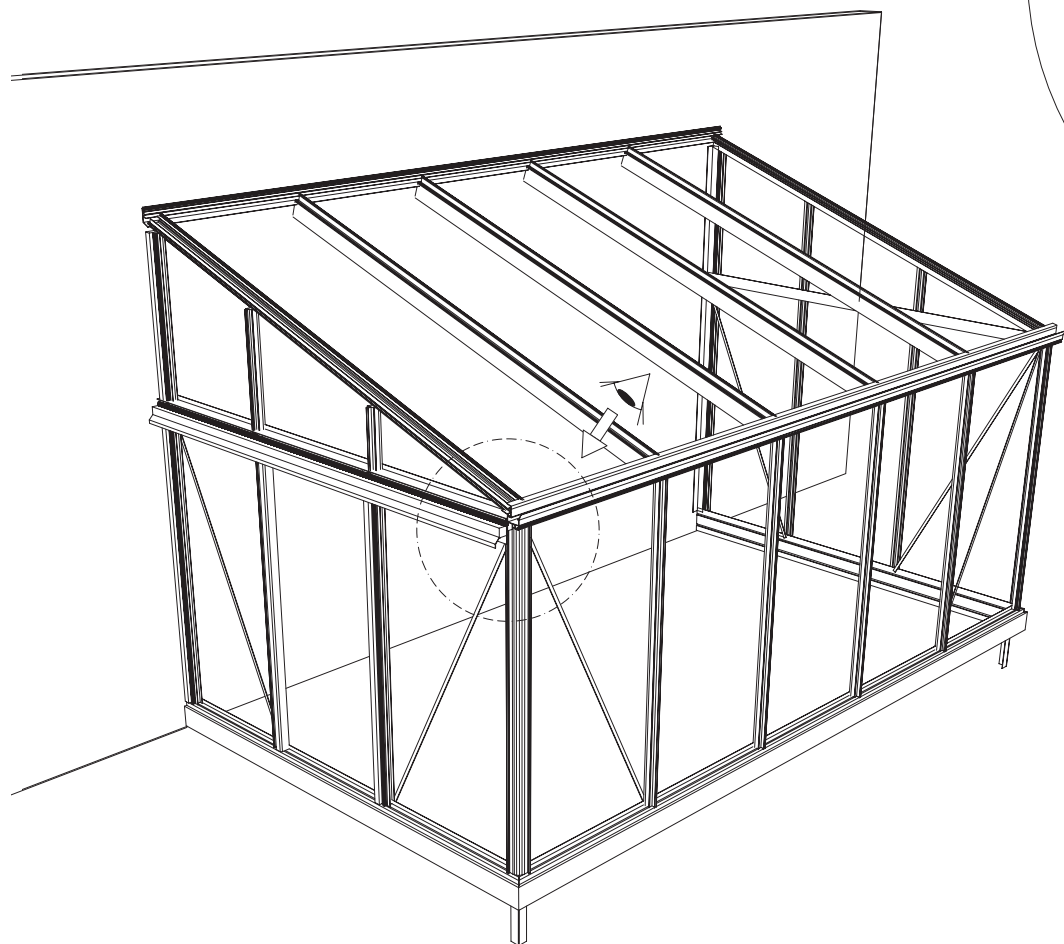


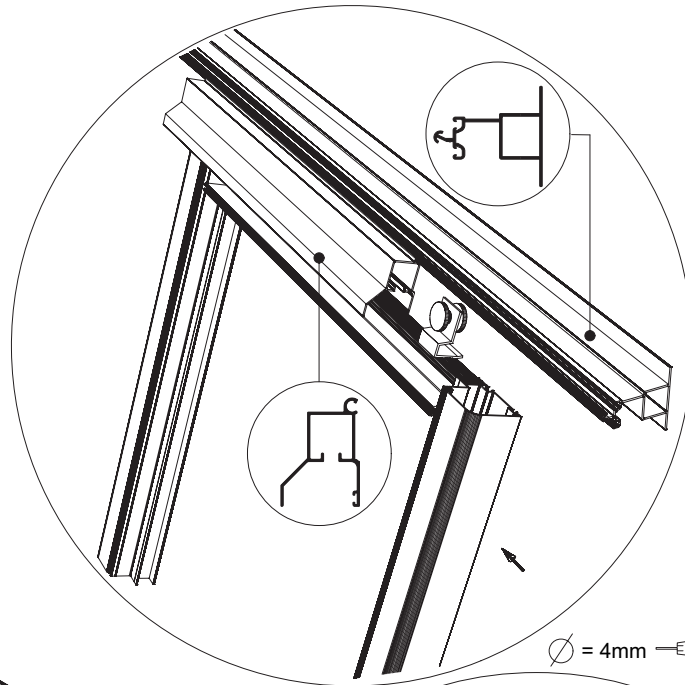
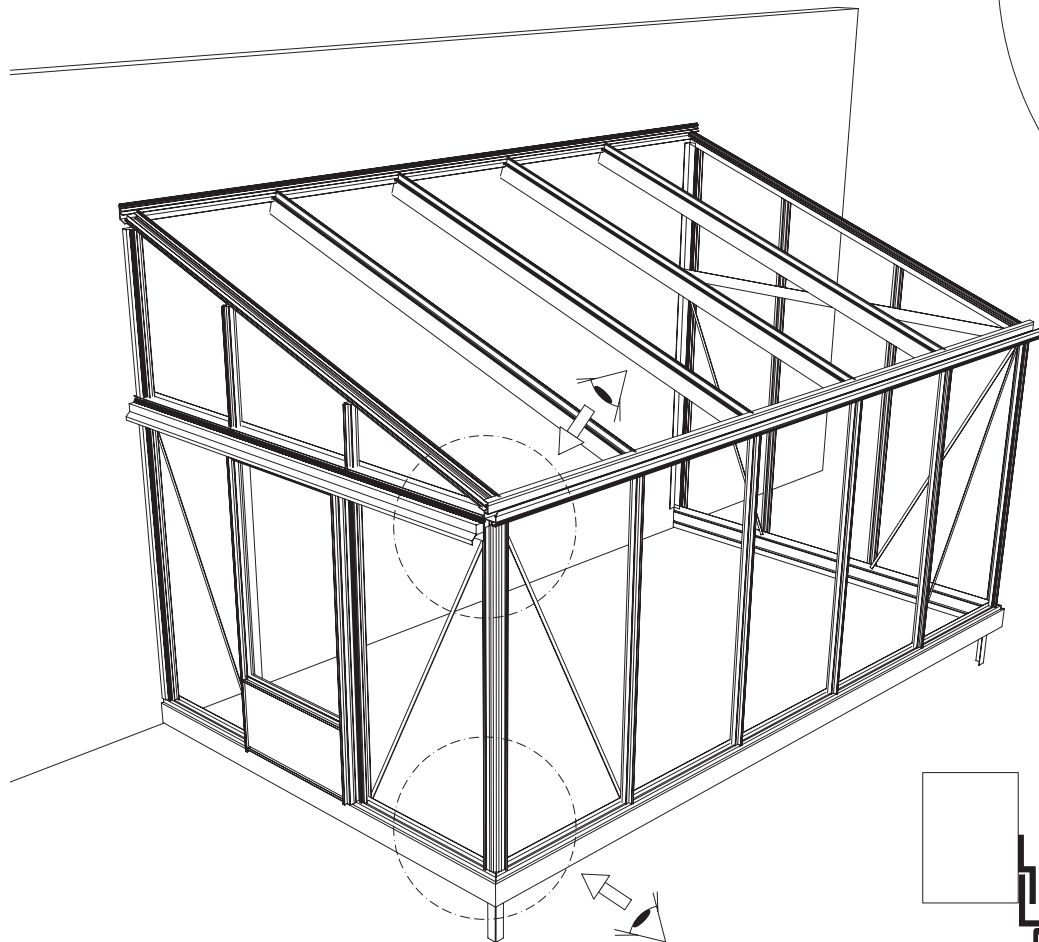




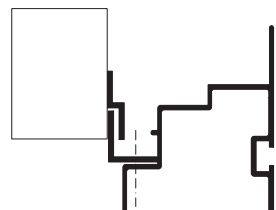
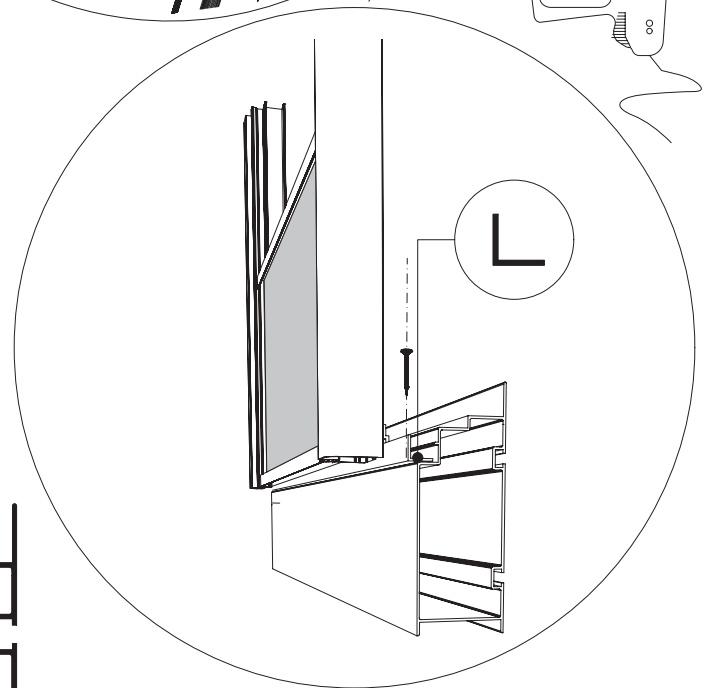
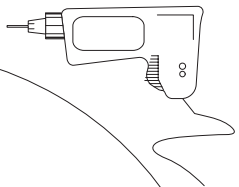


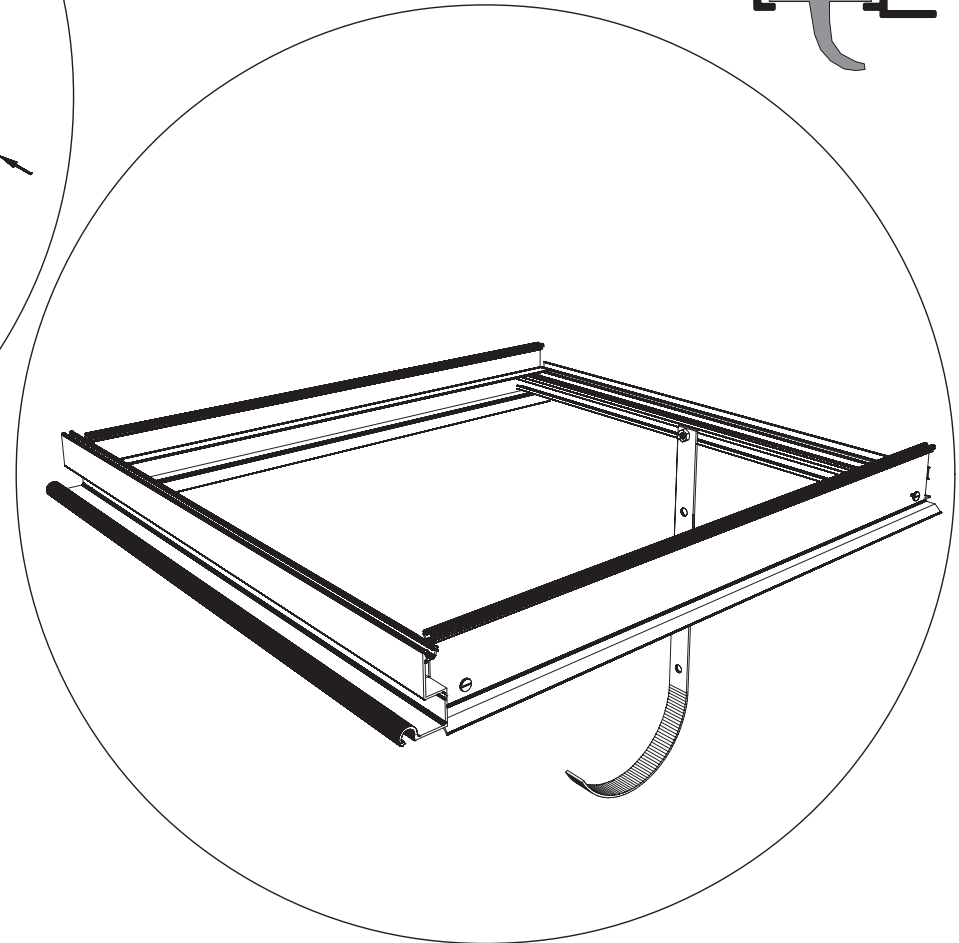
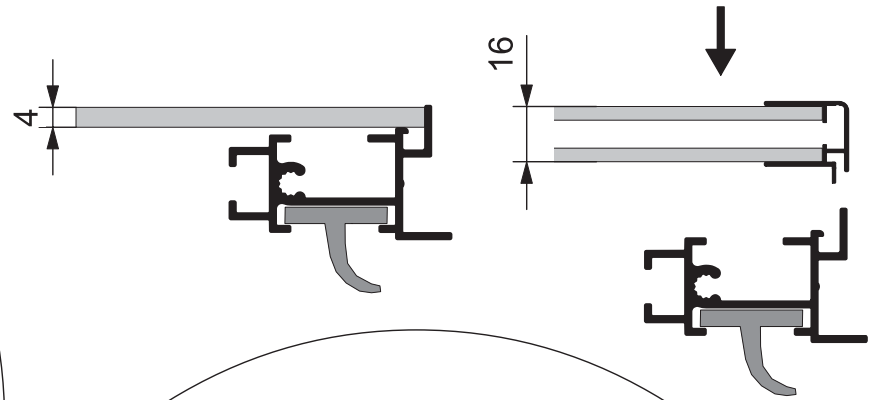
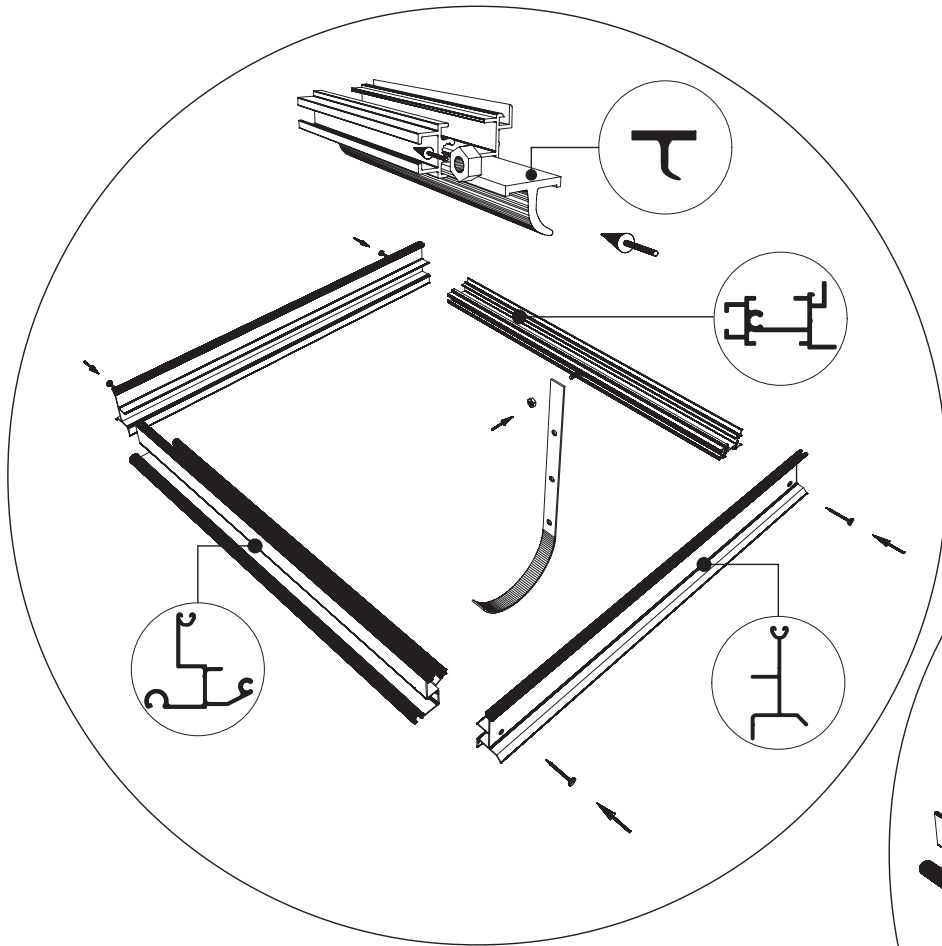


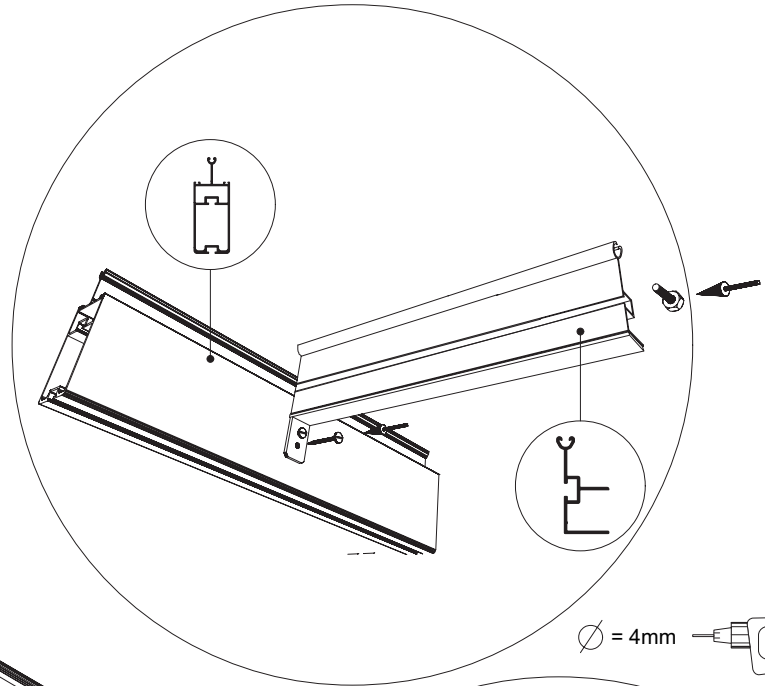
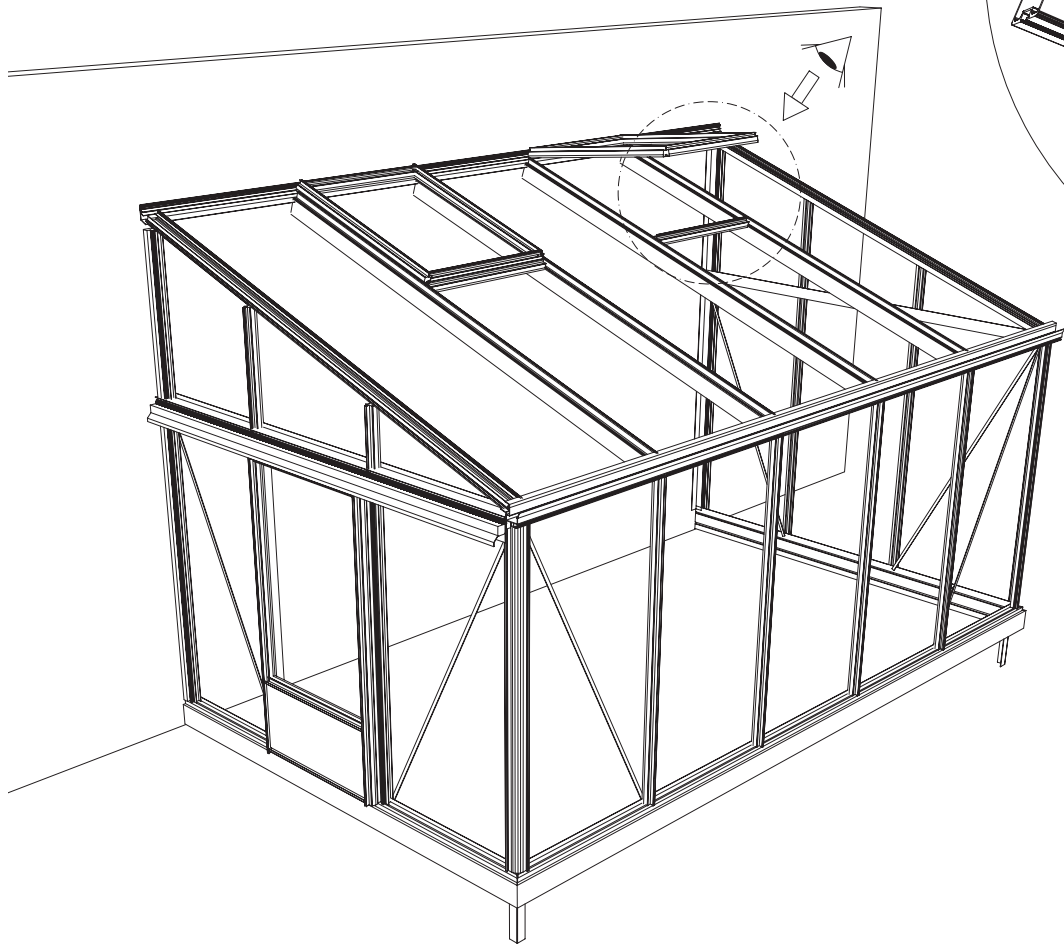
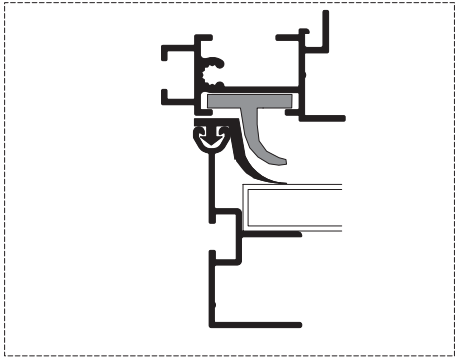




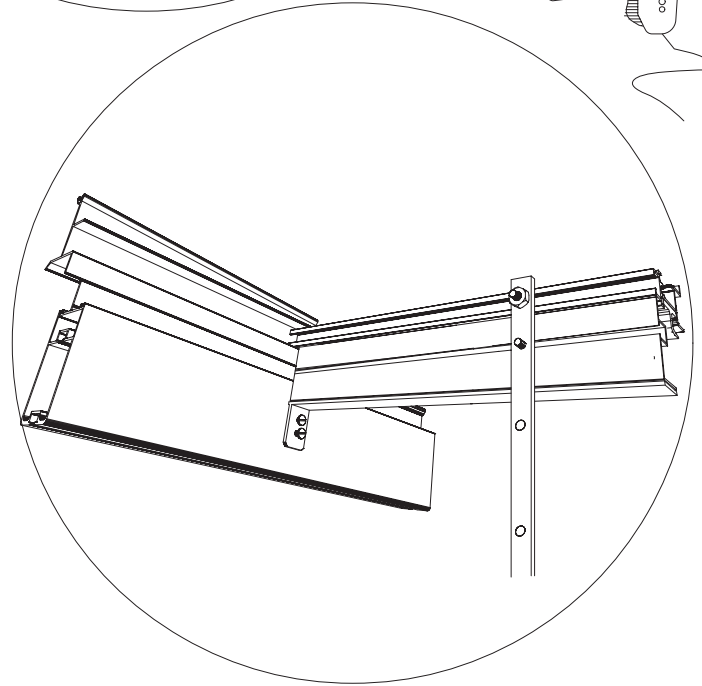
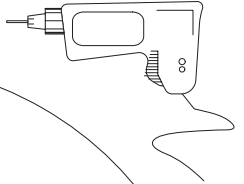
∅ = 4mm

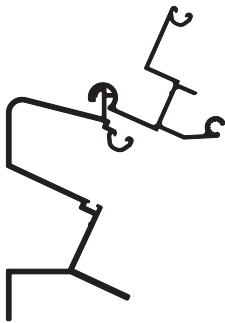
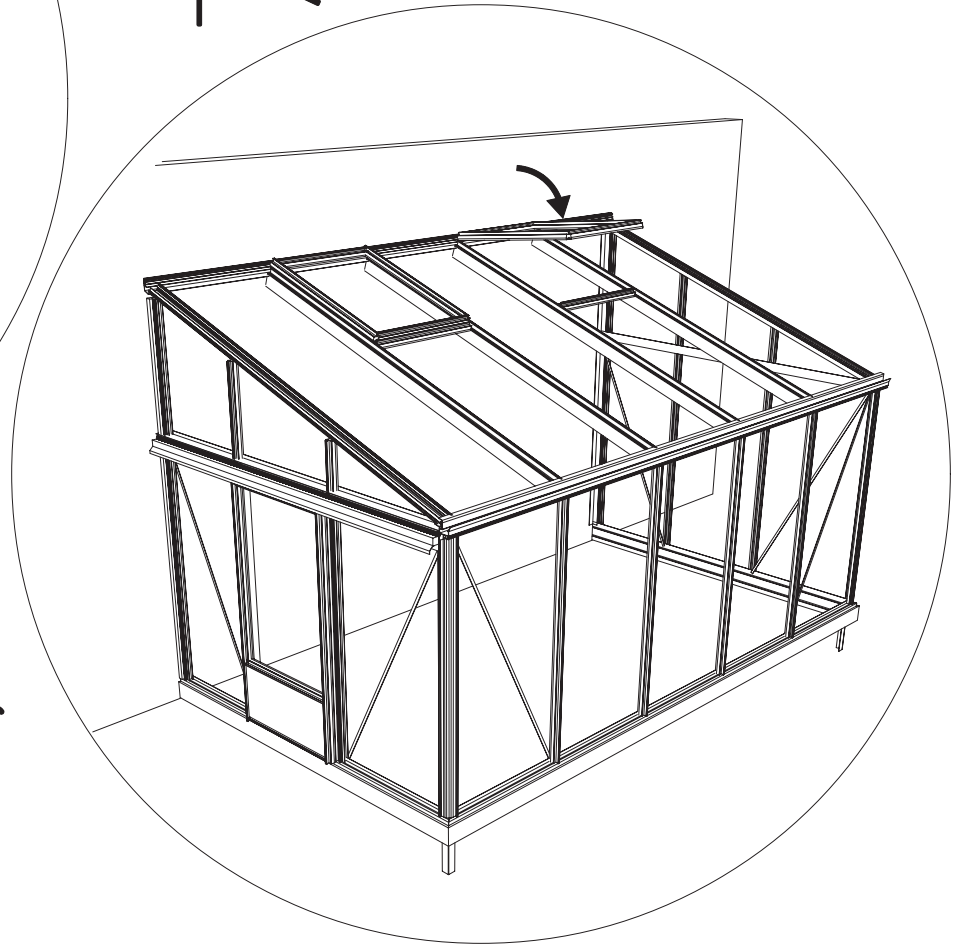
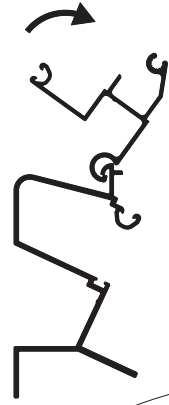
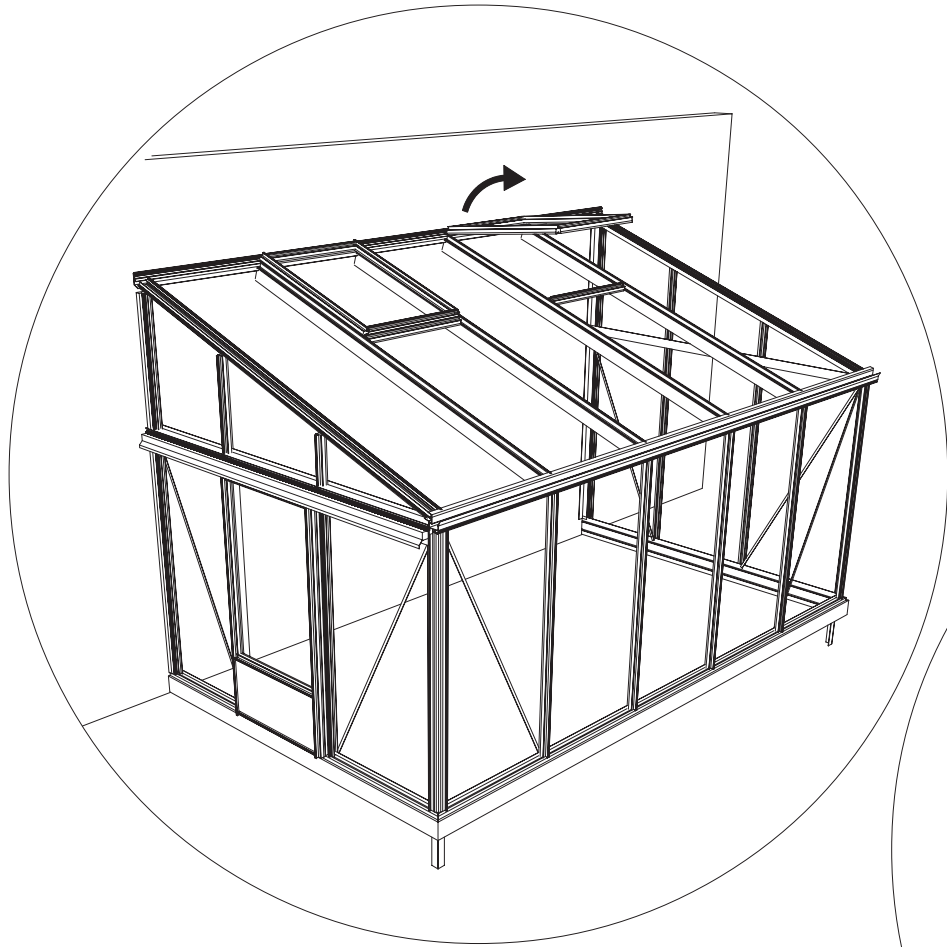




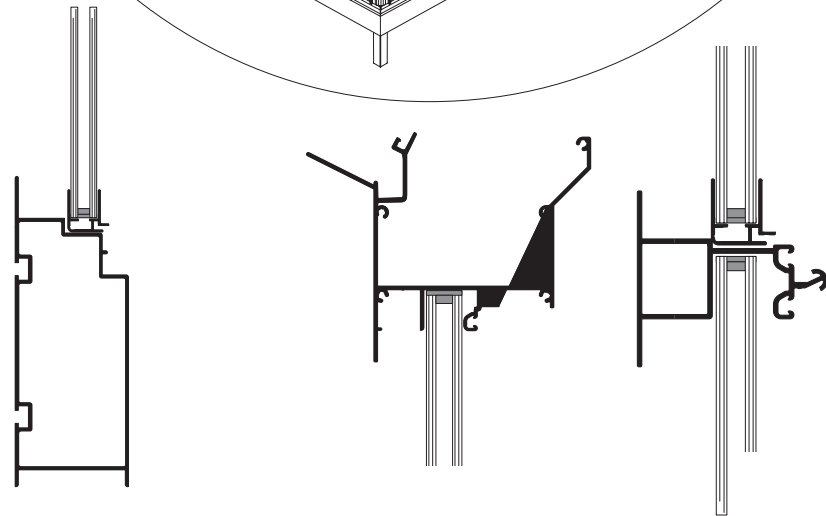
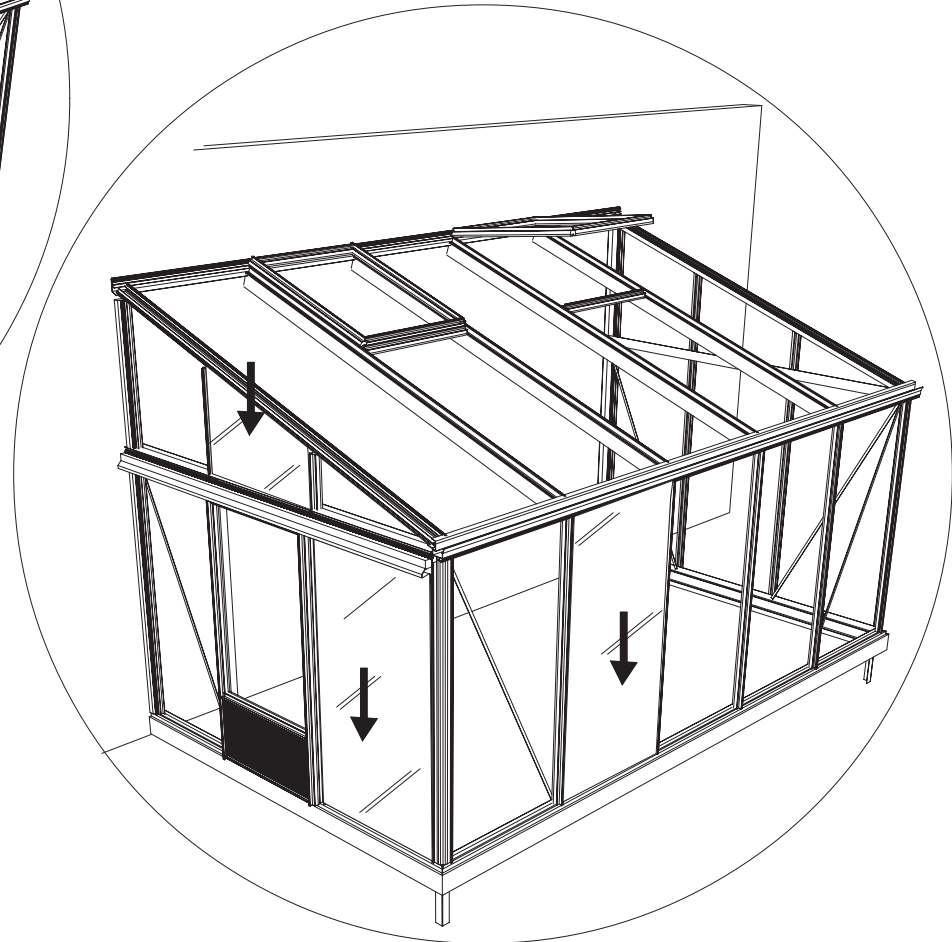
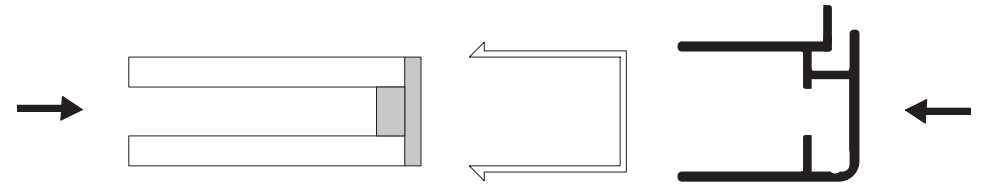
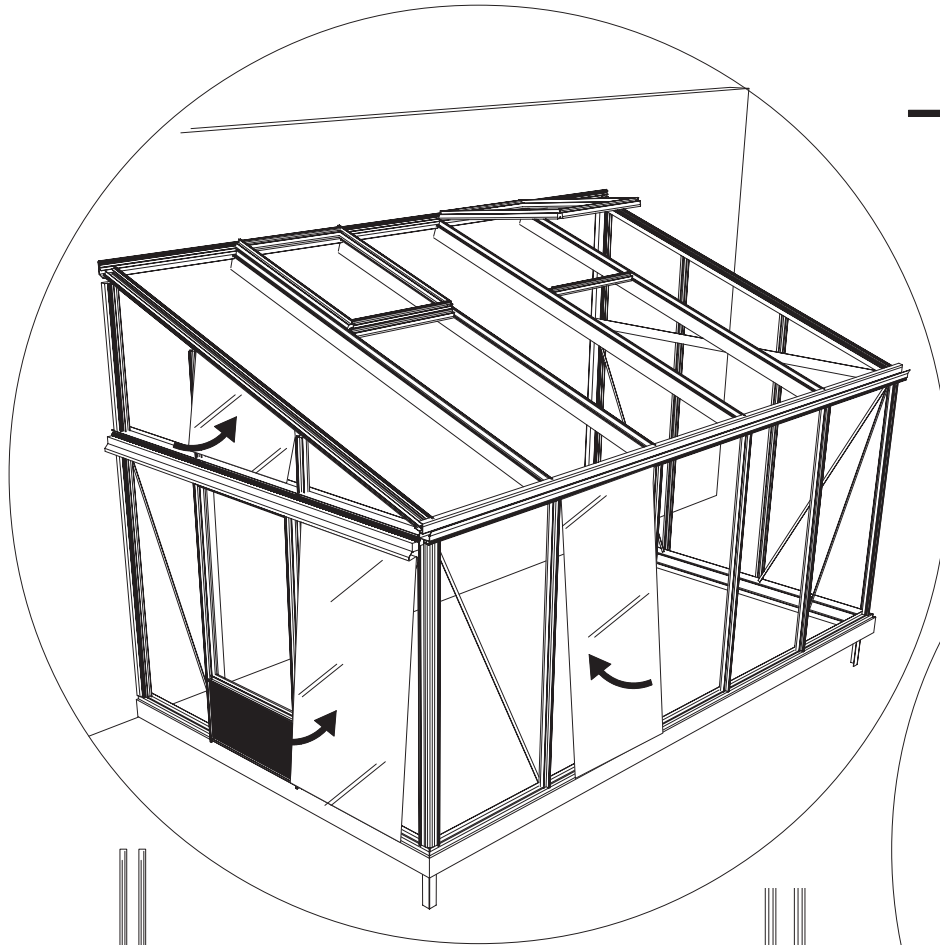


∅ = 4mm

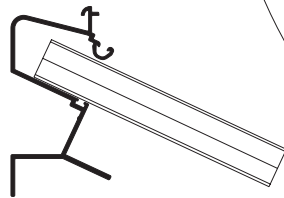
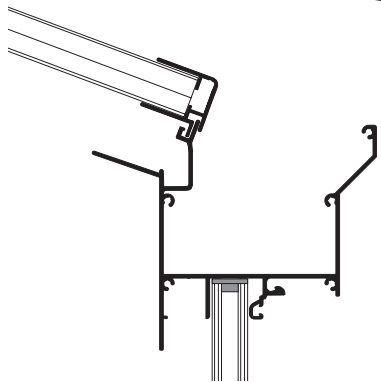
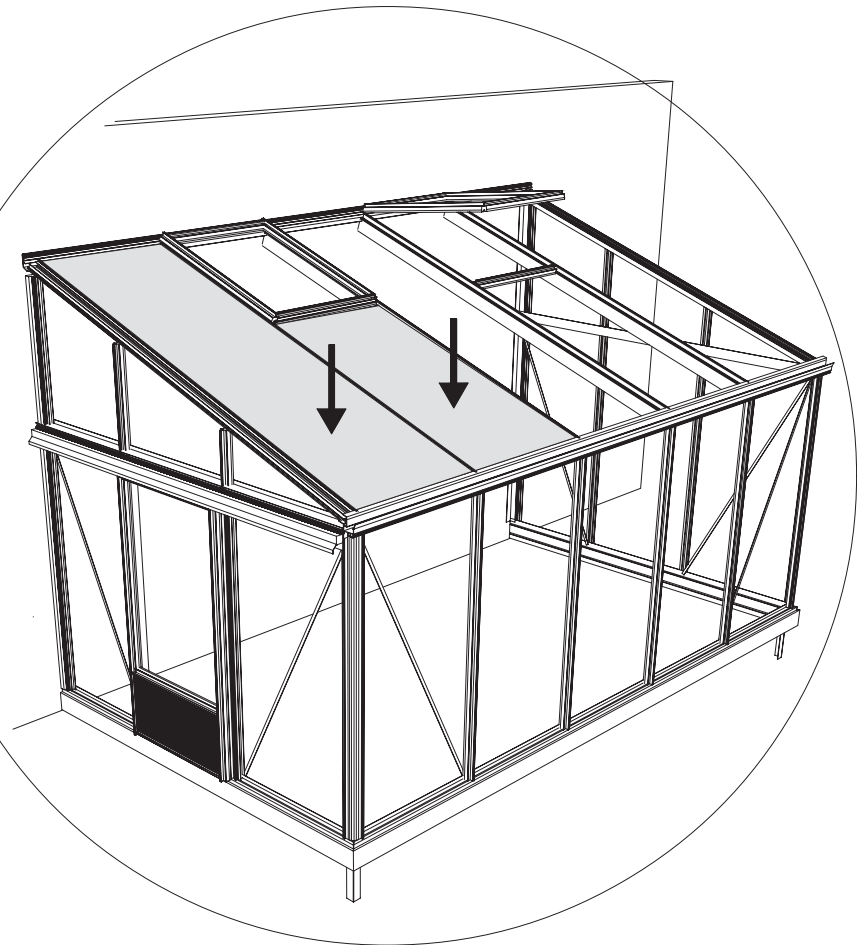
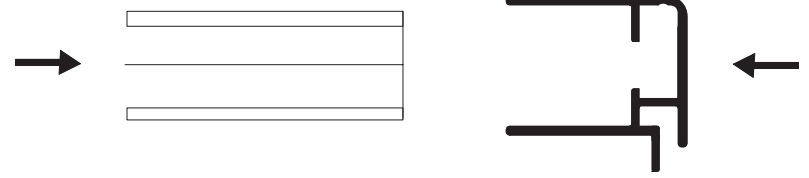
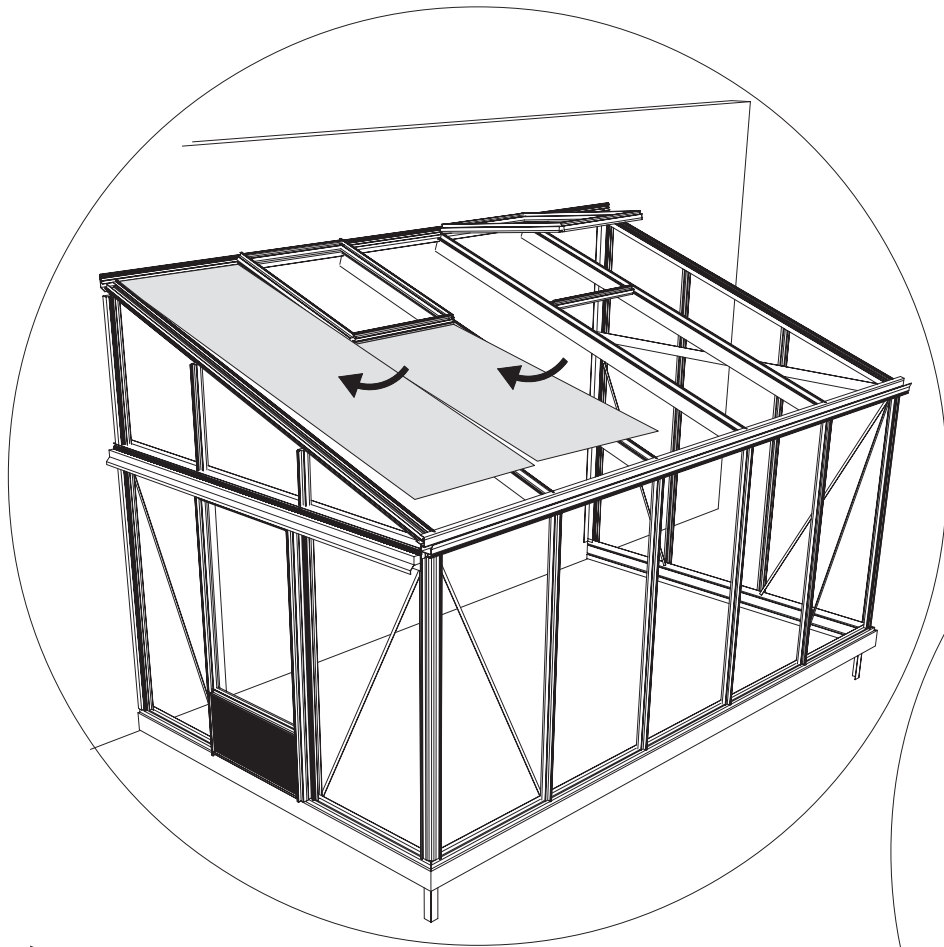






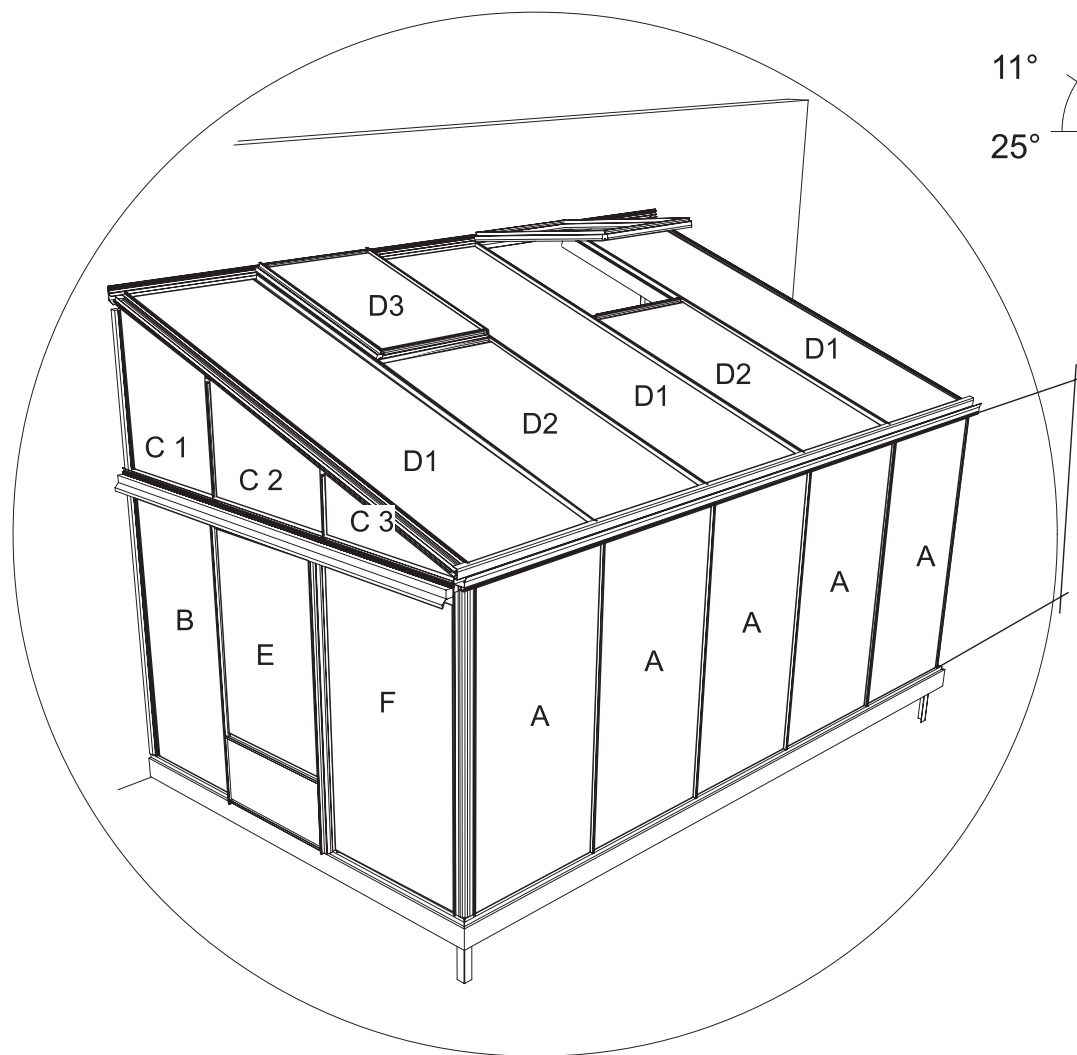






# 2,33m

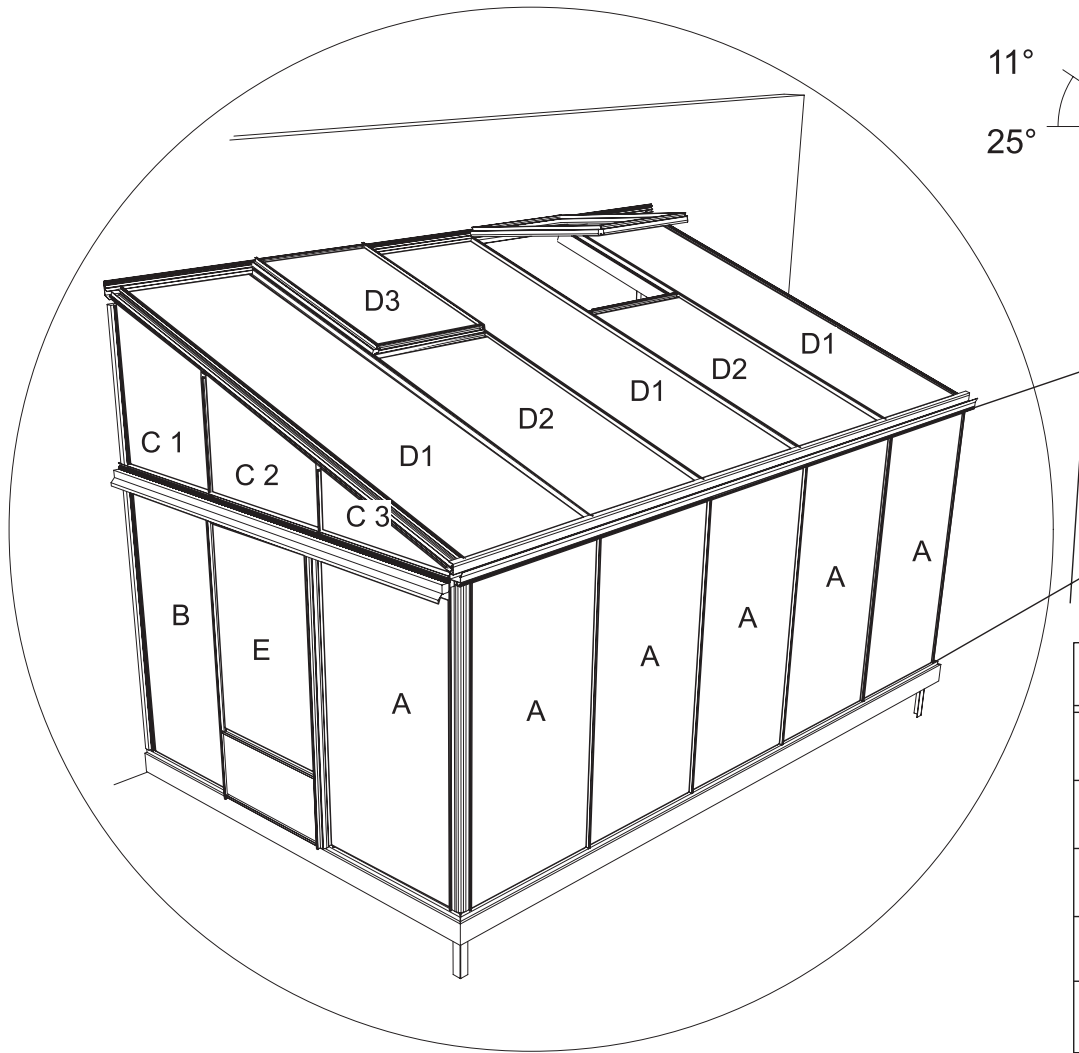
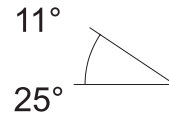
11°  
25°



1633 = A  
1833 = B

TYPE	2,33 (11°)		2,33 (25°)	
	1633	1833	1633	1833
A	1640 x 980	1840 x 980	1640 x 980	1840 x 980
B	1640 x 550	1840 x 550	1640 x 550	1840 x 550
C 1	476x725x320	476x725x320	917x725x621	917x725x621
C 2	318x725x170	318x725x170	619x725x319	619x725x319
C 3	168x745x10	168x745x10	317x745x10	317x745x10
D1	2335 x 980	2335 x 980	2460 x 980	2460 x 980
D2	1495 x 980	1495 x 980	1635x 980	1635 x 980
D3	815 x 980	815 x 980	815 x 980	815 x 980
E	1260 x 725	1460 x 725	1260 x 725	1460 x 725
F	1640 x 725	1840 x 725	1640 x 725	1840 x 725

# 3,09m



1633 = A  
1833 = B

TYPE	3,09 (11°)		3,09 (25°)	
	1633	1833	1633	1833
A	1640 x 980	1840 x 980	1640 x 980	1840 x 980
B	1640 x 955	1840 x 955	1640 x 955	1840 x 955
C 1	553x980x375	553x980x375	1338x980x900	1338x980x900
C 2	373x980x195	373x980x195	898x980x460	898x980x460
C 3	193x995x10	193x995x10	458x995x10	458x995x10
D 1	3075 x 980	3075 x 980	3325 x 980	3325 x 980
D 2	2250 x 980	2250 x 980	2495 x 980	2495 x 980
D 3	815 x 980	815 x 980	815 x 980	815 x 980
E	1260 x 845	1460 x 845	1260 x 845	1460 x 845

